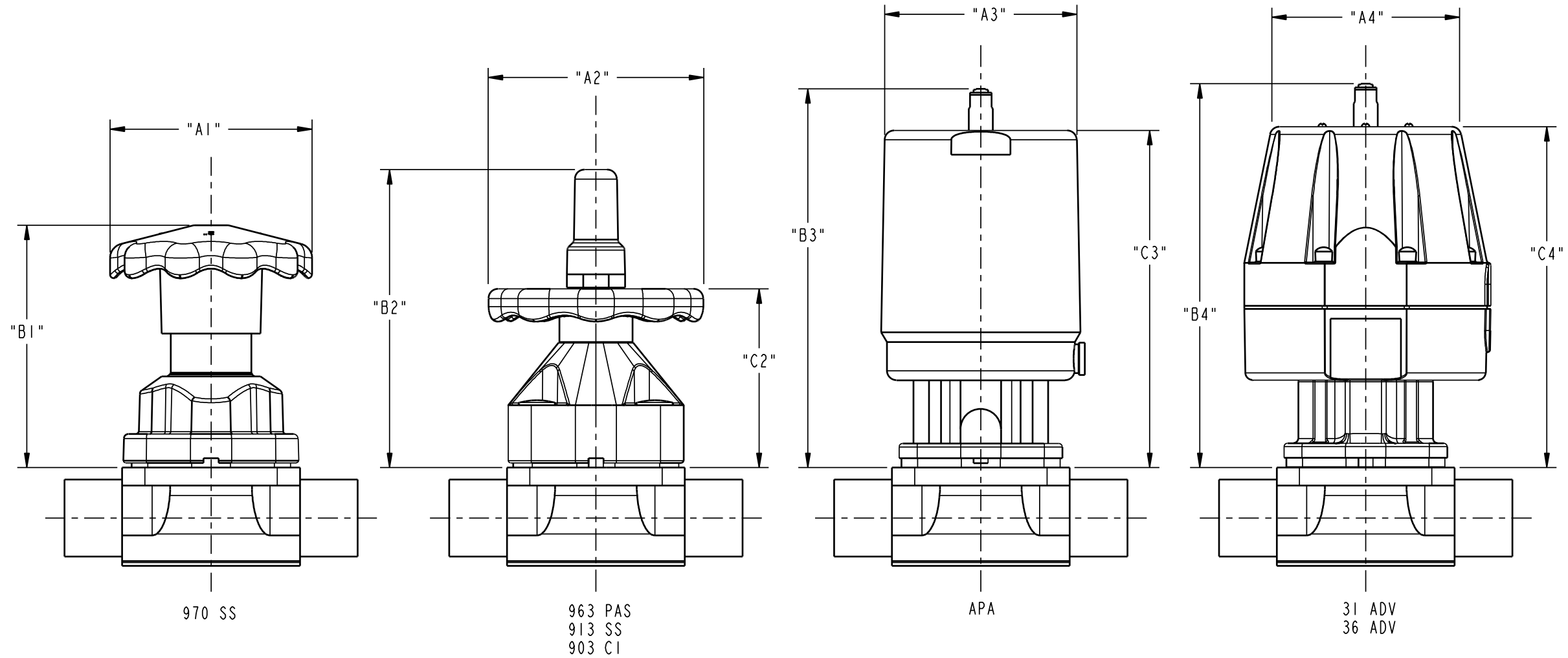


FIGURE NUMBERS

ASSEMBLY: -

VALVE SIZE	970 SS		963 - 913 - 903			APA			ADV		
	"A1"	"B1"	"A2"	"B2"	"C2"	"A3"	"B3"	"C3"	"A4"	"B4"	"C4"
* 00.50 [DN15]	2.75 [69,9]	3.56 [90,4]	3.00 [76,2]	3.28 [83,3]	2.41 [61,2]	2.75 [69,9]	4.54 [115,3]	4.11 [104,4]	2.46 [62,5]	4.53 [115,1]	4.20 [106,7]
** 00.50 [DN15]	N/A	N/A	N/A	N/A	N/A	N/A	N/A	N/A	3.00 [76,2]	5.10 [129,5]	4.82 [122,4]
00.75 [DN20]	2.75 [69,9]	3.82 [97,0]	3.00 [76,2]	4.13 [104,9]	3.00 [76,2]	3.38 [85,9]	5.43 [137,9]	5.02 [127,5]	3.00 [76,2]	5.56 [141,2]	5.15 [130,8]
01.00 [DN25]	2.75 [69,9]	4.32 [109,7]	3.00 [76,2]	4.87 [123,7]	3.54 [89,9]	3.38 [85,9]	5.74 [145,8]	5.28 [134,1]	3.00 [76,2]	5.93 [150,6]	5.32 [135,1]
01.50 [DN40]	5.25 [133,4]	5.63 [143,0]	5.50 [139,7]	7.40 [188,0]	4.30 [109,2]	5.00 [127,0]	9.31 [236,5]	8.57 [217,7]	4.88 [124,0]	9.52 [242,1]	8.66 [220,0]
02.00 [DN50]	5.25 [133,4]	6.30 [160,0]	5.50 [139,7]	7.74 [196,6]	4.64 [117,9]	5.00 [127,0]	9.85 [250,2]	8.77 [222,8]	4.88 [124,0]	10.00 [254,0]	8.66 [220,0]

* NOT FOR 1/2" BIO-TEK
** FOR 1/2" A208 ADV ONLY



PURE-FLO ORDER: -	ITEM: -	<p>THIRD ANGLE PROJECTION</p> <p>UNLESS OTHERWISE SPECIFIED, ALL DIMENSIONS ARE IN INCHES (MM)</p>	<p>UNLESS OTHERWISE NOTED</p> <table border="1"> <tr> <th>INCH</th> <th>MM</th> </tr> <tr> <td>X : ± 0.06</td> <td>X : ± 1,5</td> </tr> <tr> <td>.X : ± 0.06</td> <td>.X : ± 1,5</td> </tr> <tr> <td>.XX : ± 0.06</td> <td>.XX : ± 1,5</td> </tr> <tr> <td>.XXX : ± 0.02</td> <td>.XXX : ± 1,5</td> </tr> <tr> <td>X/X : ± 1/16</td> <td>X/X : ± 1,5</td> </tr> <tr> <td>X° : ± 1°</td> <td>X° : ± 1°</td> </tr> </table>		INCH	MM	X : ± 0.06	X : ± 1,5	.X : ± 0.06	.X : ± 1,5	.XX : ± 0.06	.XX : ± 1,5	.XXX : ± 0.02	.XXX : ± 1,5	X/X : ± 1/16	X/X : ± 1,5	X° : ± 1°	X° : ± 1°	DATE	BY	TOPWORKS OUTLINE	<p>www.ittpureflo.com</p>	<p>SITE PA</p>	<p>C</p>	<p>009590</p>	<p>REV A</p>
INCH	MM																									
X : ± 0.06	X : ± 1,5																									
.X : ± 0.06	.X : ± 1,5																									
.XX : ± 0.06	.XX : ± 1,5																									
.XXX : ± 0.02	.XXX : ± 1,5																									
X/X : ± 1/16	X/X : ± 1,5																									
X° : ± 1°	X° : ± 1°																									
CUSTOMER: -	CUSTOMER PO: -	OTHER INFO: -	ISSUED BY: -	CERTIFIED BY: -	<p>DWN 05/01/07 MJM</p> <p>CHKD 05/01/07 JRD</p> <p>APVD 05/01/07 JRD</p>	<p>00.50 - 02.00</p> <p>WT: -</p> <p>ECN# 10685</p> <p>MASTER DWG 009590</p>	<p>SHEET 1 OF 1</p>																			