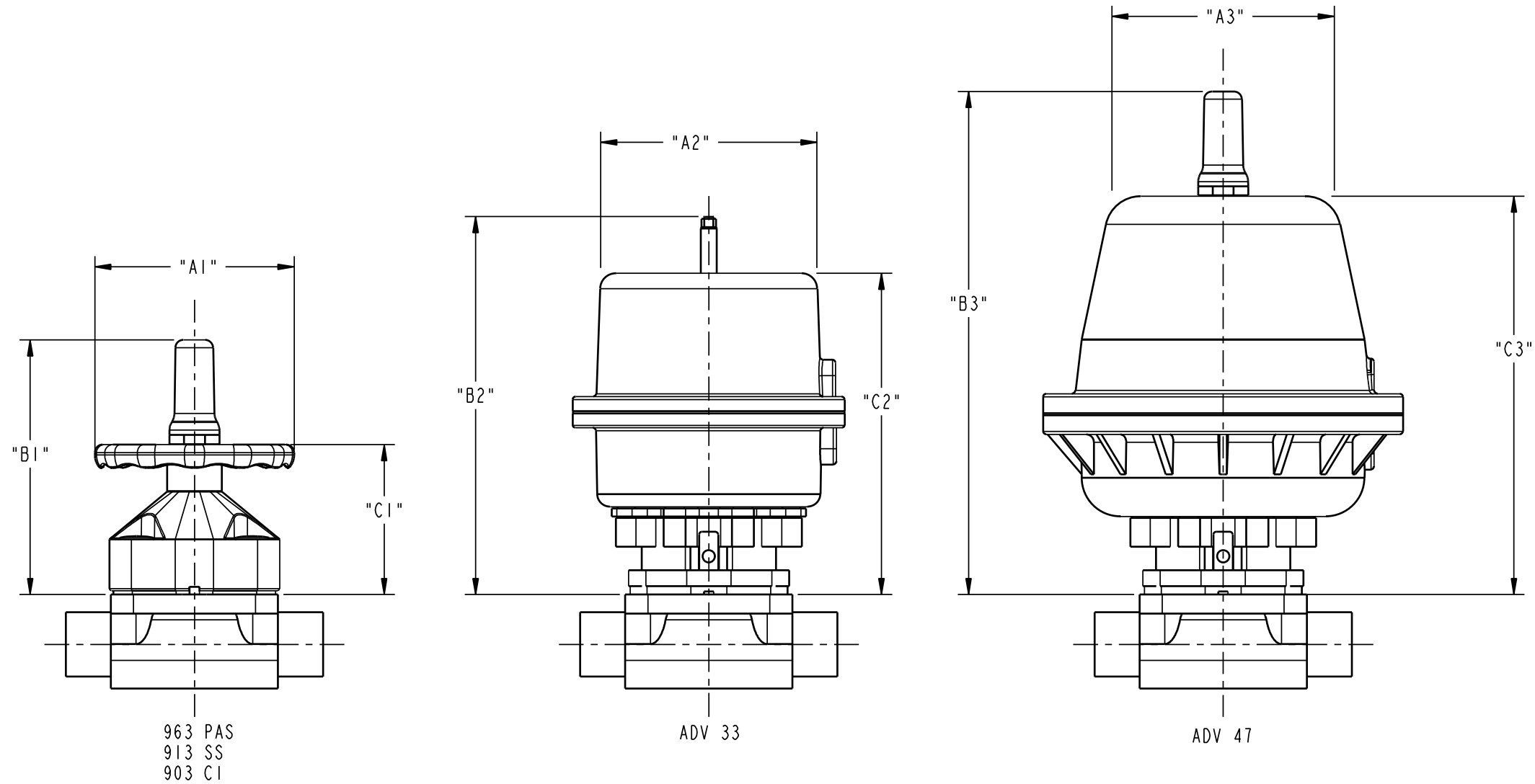


FIGURE NUMBERS

ASSEMBLY: -

VALVE SIZE	963-913-903			ADV 33			ADV 47		
	"A1"	"B1"	"C1"	"A2"	"B2"	"C2"	"A3"	"B3"	"C3"
02.50 [DN65]	7.75 [196,9]	9.91 [251,7]	5.83 [148,1]	8.41 [213,6]	14.73 [374,1]	12.50 [317,5]	8.65 [219,7]	19.58 [497,3]	15.50 [393,7]
03.00 [DN80]	7.75 [196,9]	9.91 [251,7]	5.83 [148,1]	8.41 [213,6]	14.73 [374,1]	12.50 [317,5]	8.65 [219,7]	19.58 [497,3]	15.50 [393,7]
04.00 [DN100]	10.15 [257,8]	12.16 [308,9]	7.50 [190,5]	8.40 [213,4]	15.26 [387,6]	13.08 [332,2]	8.65 [219,7]	20.16 [512,1]	16.09 [408,7]



PURE-FLO ORDER: -	ITEM: -	<p>THIRD ANGLE PROJECTION</p> <p>UNLESS OTHERWISE SPECIFIED, ALL DIMENSIONS ARE IN INCHES (MM)</p>	<p>UNLESS OTHERWISE NOTED</p> <table border="1"> <tr> <th>INCH</th> <th>MM</th> </tr> <tr> <td>X : ± 0.06</td> <td>X : ± 1,5</td> </tr> <tr> <td>.X : ± 0.06</td> <td>.X : ± 1,5</td> </tr> <tr> <td>.XX : ± 0.06</td> <td>.XX : ± 1,5</td> </tr> <tr> <td>.XXX : ± 0.02</td> <td>.XXX : ± 1,5</td> </tr> <tr> <td>X/X : ± 1/16</td> <td>X/X : ± 1,5</td> </tr> <tr> <td>X° : ± 1°</td> <td>X° : ± 1°</td> </tr> </table>		INCH	MM	X : ± 0.06	X : ± 1,5	.X : ± 0.06	.X : ± 1,5	.XX : ± 0.06	.XX : ± 1,5	.XXX : ± 0.02	.XXX : ± 1,5	X/X : ± 1/16	X/X : ± 1,5	X° : ± 1°	X° : ± 1°	DATE	BY	TOPWORKS OUTLINE	<p>www.ittpureflo.com</p>	<p>SITE C</p> <p>009592</p> <p>SHEET 1 OF 1</p>	<p>REV -</p>
INCH	MM																							
X : ± 0.06	X : ± 1,5																							
.X : ± 0.06	.X : ± 1,5																							
.XX : ± 0.06	.XX : ± 1,5																							
.XXX : ± 0.02	.XXX : ± 1,5																							
X/X : ± 1/16	X/X : ± 1,5																							
X° : ± 1°	X° : ± 1°																							
CUSTOMER: -	CUSTOMER PO: -	OTHER INFO: -	ISSUED BY: -	CERTIFIED BY: -	<p>DWN 11/20/06 MJM</p> <p>CHKD 11/20/06 JRD</p> <p>APVD 11/20/06 JRD</p>	<p>02.50 - 04.00</p> <p>WT: -</p> <p>ECN# 10685</p> <p>MASTER DWG 009592</p>																		