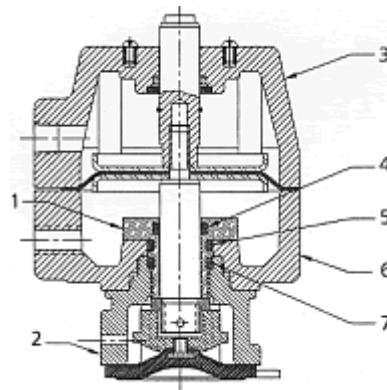
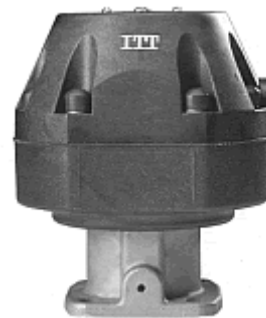


Advantage Actuator - Stainless Steel Bonnet

Due to the ever increasing use of process fabrications, the move toward block bodied and multiport diaphragm valve body designs, as well as the ever shrinking dimensional envelope for process components; the *Pure-Flo Solutions Group* has developed a lower profile Stainless Steel Advantage Actuator bonnet assembly. This bonnet assembly will be utilized in conjunction with process fabrications, tank bottom diaphragm valves, block bodied and multiport diaphragm valve body designs, or wherever studded fasteners and spool adapters are currently required to fasten the body to the actuator bonnet assembly. The result is the elimination of the existing spool adapter thus reducing the overall height of the assemblies to standard Advantage Actuator assembly dimensions. In addition to providing a smaller dimensional envelope, the actuator housing can also be rotated in 90° increments to reduce the dead leg between valves in series.

Materials and Specifications:

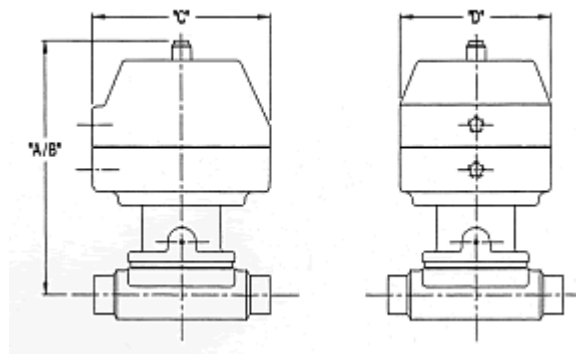
- **Size Range** - Bio-Tek, 0.50", 0.75", 1.00", 1.50" *, 2.00" *
- **Bonnet Material** - Investment Cast 316 Stainless Steel, CF8M
- **FDA Compliant Materials** - All materials comply to 21 CFR 177
- **Internal Brass Bushing** - To provide superior performance integrity and the capability of rotating the actuator assembly in 90° increments
- **90° Rotation** - The actuator housing assembly can be rotated 90° to reduce interference and assist in the reduction of dead legs in a process system.
- **Temperature & Pressure Rating** - Commensurate with existing Advantage product line
- **Industry Protocols** - The assembly will withstand the same sterilization, cleaning and process protocols as the existing Advantage Actuator product line.



1. Brass Bushing
2. Investment Cast Stainless Steel Bonnet
3. PAS Upper Cover
4. O-Ring Air Stem Seal
5. O-Ring Air Chamber Seal
6. PAS Lower Cover
7. O-Ring Bonnet Seal

- **"0" Ring Seals** - Viton® "0" ring seals are provided as a standard for the stem and bushing
- **Electropolished Bonnet Assemblies** - As an option, the stainless bonnet assemblies can be provided with electropolished interiors / exteriors.
- **Interchangeability** - The Advantage Actuator- Stainless Steel Bonnet assembly is interchangeable with existing assemblies utilizing spool adapters.

* The Advantage Actuator - Stainless Steel Bonnet is not available with Direct Acting Assemblies in sizes 1.50" & 2.00".



Valve Size		A Valve Open		B With Limit Switch SP 2		C		D	
Inch	DN	Inch	mm	Inch	mm	Inch	mm	Inch	mm
.25, .38, .50 ¹	8, 10, 15 ¹	4.27	108	9.40	239	2.84	72	2.50	63
0.50	15	4.89	124	9.93	252	3.34	85	3.00	76
0.75	20	5.93	150	10.92	277	4.56	116	3.88	98
1.00	25	6.55	166	11.35	288	4.56	116	3.88	98
1.50 ²	40 ²	10.62	270	14.97	380	6.41	163	5.94	151
2.00 ²	50 ²	11.39	289	15.41	391	6.41	163	5.94	151

1. Bio-Tek Valve Series

2. Advantage - Stainless Steel Bonnet is not available with Direct Acting Assemblies in sizes 1.50" & 2.00"

Viton® is a registered trademark of DuPont Dow Elastomers.

Patent #6,192,912 B1