

## Bio-Tek® D/V - Swickle Modification



BioTek D/V Swickel Modification

The swickle sample port is the most recent modification of the Bio-Tek diaphragm valve and is dedicated to sample applications within the Brewery Industry. The Bio-Tek diaphragm valve, which is well known for its inherent clean design, is now available with an integral outlet spout connection, making it easily adaptable to current plug valve sampling devices. The valve body is available with a variety of inlet connections, including: 16 & 18 gauge butt weld, Tri-Clamp fractional ferrules and swivel fittings.

### Feature

### Benefit

-Diaphragm Valve Design

The diaphragm valve is the acknowledged valve of choice in clean, aseptic and sterile applications. By design, the diaphragm valve reduces product contact surfaces, hold up volume and internal pockets, reducing the need for cumbersome SOP's during product sampling.

-316L Investment Cast Stainless Steel Body & 316 Stainless Steel Bonnet

The body and bonnet are integral stainless steel investment castings for high integrity and corrosion resistance.

-PAS (polyarylsulfone) Bonnet Shroud/Hand Wheel

The Bio-Tek Diaphragm Valve comes standard with a PAS (polyarylsulfone) shroud/hand wheel which is a durable, lightweight, thermoplastic resin ideal for caustic, chloride and alcohol wash downs. A concealed travel stop prevents overclosure of the diaphragm, which prolongs diaphragm life. Position of the valve is indicated by a color band on the bonnet.

-EPDM & PTFE Diaphragms

Both EPDM and PTFE diaphragms are available to provide material flexibility for your sampling requirements and are interchangeable without modifying bonnet internals.

-Automatic Actuation

The manual Bio-Tek valve is easily converted into a pneumatic driven diaphragm actuator by simply removing four bonnet cap screws and changing bonnet assemblies. All three modes of actuation, i.e. Fail Closed, Fail Open and Double Acting, are available in the same dimensional envelope.

## Materials & Specifications

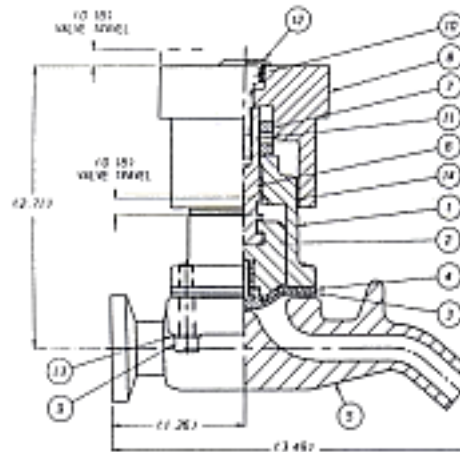
Body - 316L Stainless Steel ASTM A-351 GR CF3M  
 Bonnet - 316 Stainless Steel ASTM A-351 GR CF8M  
 Hand Wheel/Shroud - PAS (Polyarylsulfone) - FDA accepted  
 Diaphragms - EPDM & PTFE - FDA accepted

### Interior Surface

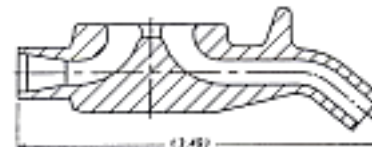
.35 m inch Ra

### End Connections

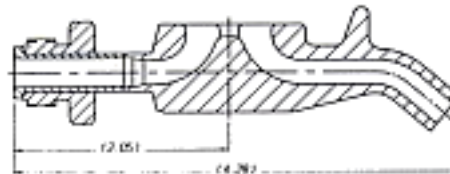
3/8" or 1/2" Fractional Ferrule by swickle nozzle  
 3/8" 18 gauge OD tubing butt weld by swickle nozzle  
 1/2" 16 gauge OD tubing butt weld by swickle nozzle  
 3/8" Swivel fitting by swickle nozzle



1/2" OR 3/4" TRI-CLAMP X SWICKEL BODY



1/2" OR 3/4" BUTTWELD 16GA X SWICKEL BODY



1/2" SWIVEL NUT X SWICKEL BODY

LIST OF PARTS			
ITEM	DESCRIPTION	MATERIAL	QTY
1	BONNET	STN STL	1
2	COMPRESSOR	PAS	1
3	DIAPHRAGM	TFE, GR R2	1
4	CUSHION, BACKING	EPDM	1
5	BODY	STN STL A-351-CF3M	1
6	SPINDLE, ADJ TRAVEL	STN STL	1
7	NUT, HEX MODIFIED ADJ TRAVEL	STN STL	1
8	HANDWHEEL, SHROUD	PAS	1
9	SCREW, SOC HD CAP	STN STL	4
10	SCREW, SOC HD CAP	STN STL	1
11	SCREW, HEX SOC SET	STN STL	1
12	CAP, CAPPLUG	FLEXTMP	1
13	WASHER, SPRINGLOCK	SIN STL	4
14	INDICATOR	MYLAR	1

## Pure-Flo® Solutions Group

For more information, please contact:

### Pure-Flo Solutions Group Headquarters

33 Centerville Road, P.O. Box 6164  
 Lancaster, PA 17603-2064 USA  
 or call: (800) 366-1111  
 (717) 509-2200  
 Fax: (717) 509-2336  
 Website: www.engvalves.com  
 E-mail: engvalves.custserv@itt.com

**Pure-Flo California**  
 110-B West Cochran  
 Simi Valley, CA 93065  
 Phone 800-926-8884  
 Phone (805) 520-7200  
 Fax (805) 520-7205

### Valve Office Locations:

**Pure-Flo UK**  
 Richards Street  
 Kirkham, Lancashire  
 PR4 2HU, England  
 Phone +44 1772 682696  
 Fax + 44 1772 686006