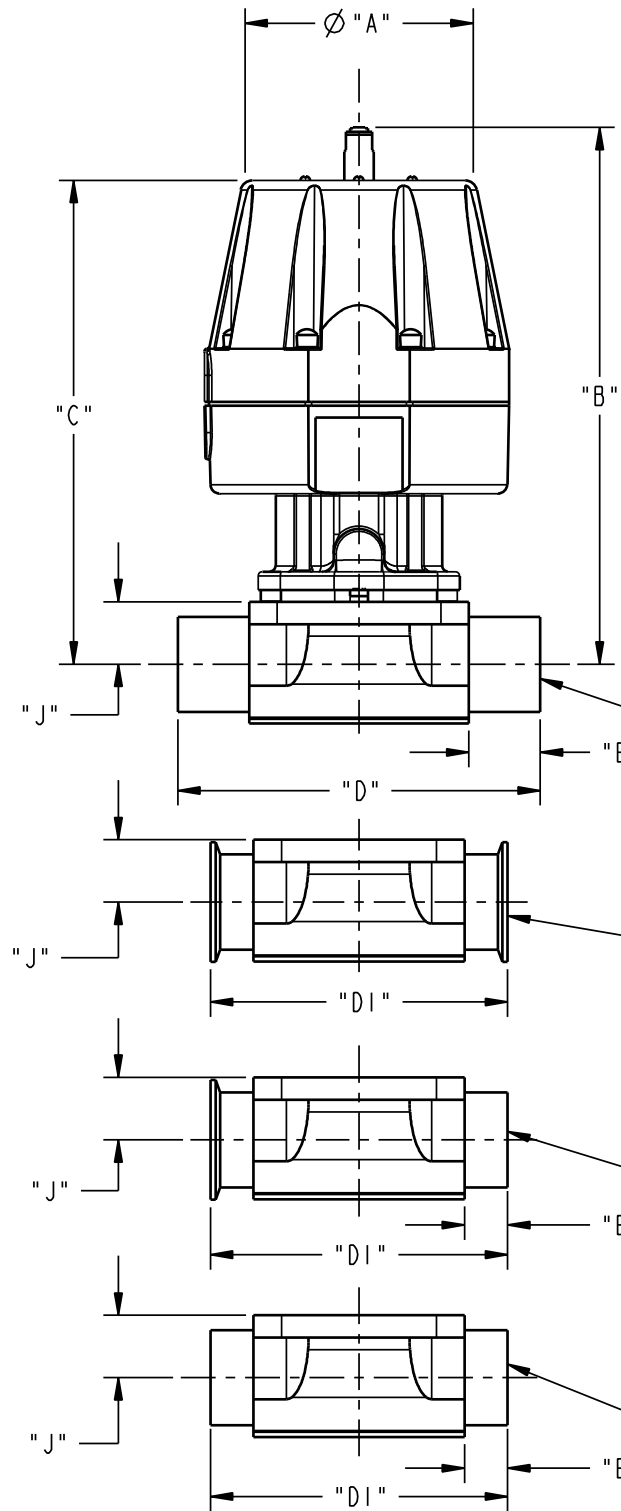


FIGURE NUMBERS

ASSEMBLY: -



*
A208

VALVE SIZE	Ø "A"	"B"	"C"	"D"	"D1"	"E"	"E1"	"F"	"G"	"H"	"J"	DRAIN ANGLE
00.50 [DN15]	2.46 [62,5]	4.90 [124,5]	4.57 [116,1]	5.12 [130,0]	3.50 [88,9]	1.50 [38,1]	0.75 [19,1]	4.55 [115,6]	3.31 [84,1]	4.33 [110,0]	0.34 [8,6]	30°
00.50 [DN15]	3.00 [76,2]	5.47 [138,9]	5.19 [131,8]	5.12 [130,0]	3.50 [88,9]	1.50 [38,1]	0.75 [19,1]	5.22 [132,6]	3.85 [97,8]	4.84 [122,9]	0.34 [8,6]	30°
00.75 [DN20]	3.00 [76,2]	6.00 [152,4]	5.59 [141,9]	5.50 [139,7]	4.00 [101,6]	1.50 [38,1]	0.83 [21,1]	5.57 [141,5]	4.05 [102,9]	5.30 [134,6]	0.44 [11,1]	30°
01.00 [DN25]	3.00 [76,2]	6.60 [167,6]	5.99 [152,2]	5.88 [149,4]	4.50 [114,3]	1.50 [38,1]	0.87 [22,1]	5.93 [150,6]	4.28 [108,7]	5.81 [147,6]	0.67 [17,0]	30°
01.50 [DN40]	4.88 [124,0]	10.55 [268,0]	9.69 [246,1]	7.00 [177,8]	5.50 [139,7]	1.50 [38,1]	0.87 [22,1]	9.69 [246,2]	6.64 [178,7]	9.44 [239,8]	1.03 [26,2]	28°
02.00 [DN50]	4.88 [124,0]	11.31 [287,3]	10.17 [258,3]	7.62 [193,5]	6.25 [158,8]	1.50 [38,1]	0.98 [24,9]	10.30 [261,6]	6.18 [157,0]	10.48 [266,2]	1.31 [33,3]	23°

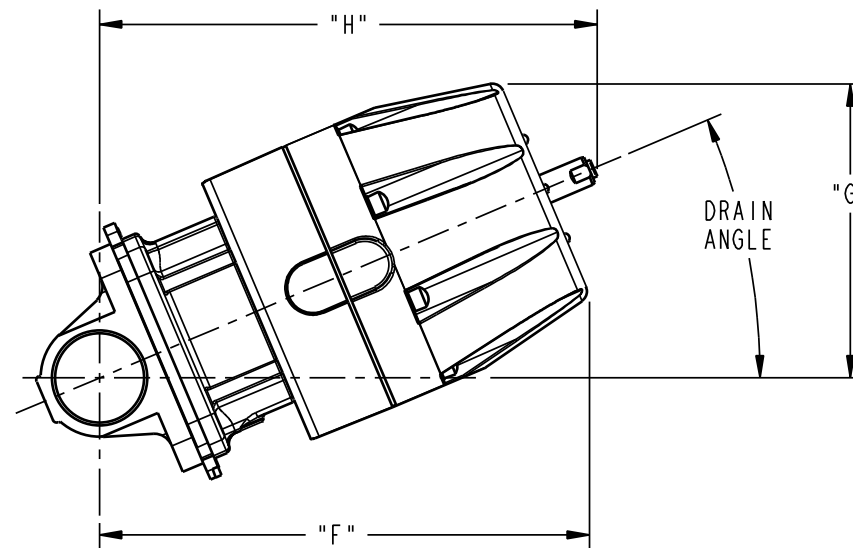
* NOT FOR 1/2" BIO-TEK

EXTENDED BW X EXTENDED BW (428L)

TC X TC (419)

TC X SHORT BW (419-X28)
SHORT BW X TC (428-X19)

SHORT BW X SHORT BW (428)



VALVE ON DRAIN ANGLE

PURE-FLO ORDER: - ITEM: -
 CUSTOMER: -
 CUSTOMER PO: -
 OTHER INFO: -
 ISSUED BY: - CERTIFIED BY: -

THIRD ANGLE PROJECTION

UNLESS OTHERWISE NOTED

INCH		MM	
X	± 0.06	X	± 1,5
.X	± 0.06	.X	± 1,5
.XX	± 0.06	.XX	± 1,5
.XXX	± 0.02		
X/X	± 1/16		
X°	± 1°	X°	± 1°

UNLESS OTHERWISE SPECIFIED, ALL DIMENSIONS ARE IN INCHES (MM)

DATE	BY	FORGED WEIR VALVE OUTLINE
03/01/07	MJM	00.50 - 02.00 ADV ACT SST BONNET
03/01/07	JRD	-
03/01/07	JRD	WT: - ECN# 10685 MASTER DWG 008331

ITT Pure-Flo
www.ittpureflo.com

SITE PA C 008331 REV B
SHEET 1 OF 1