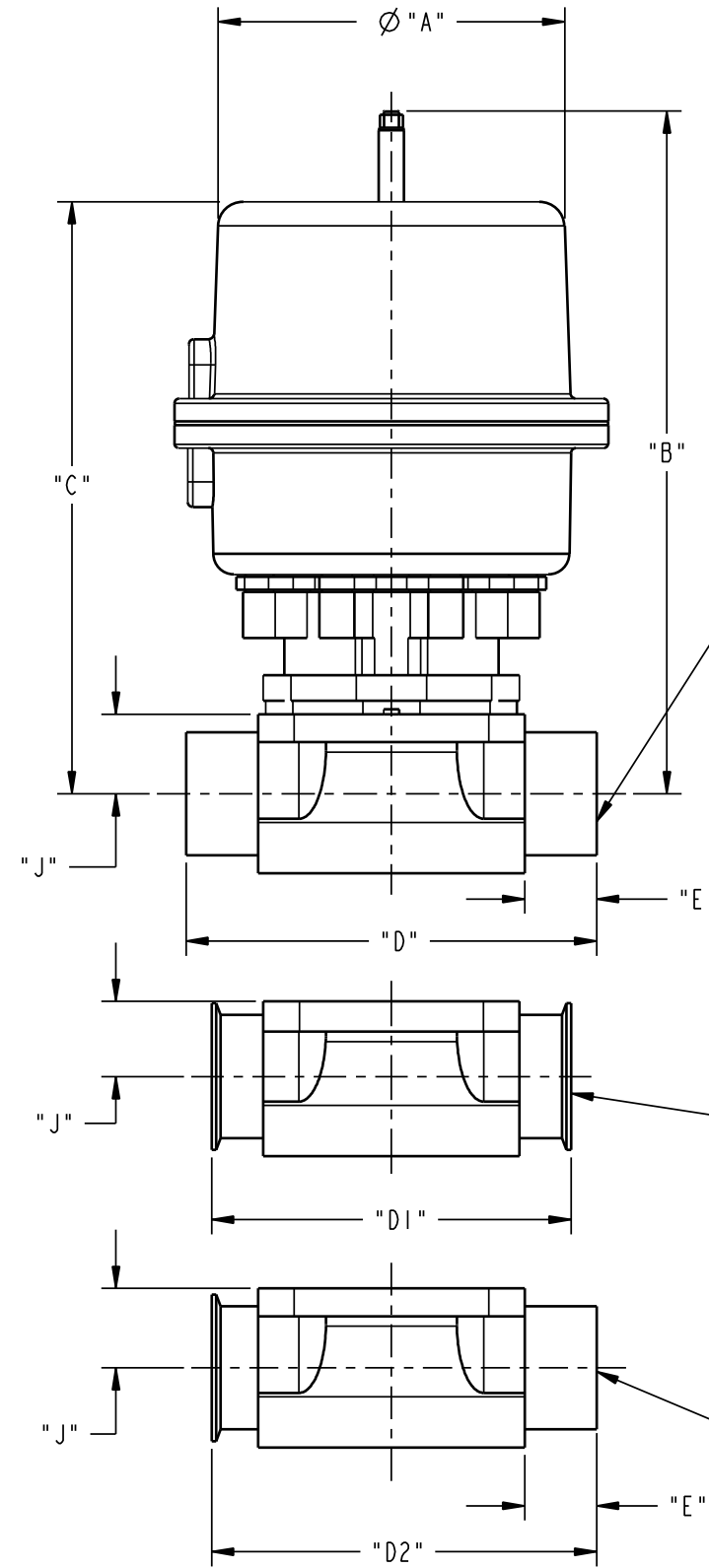


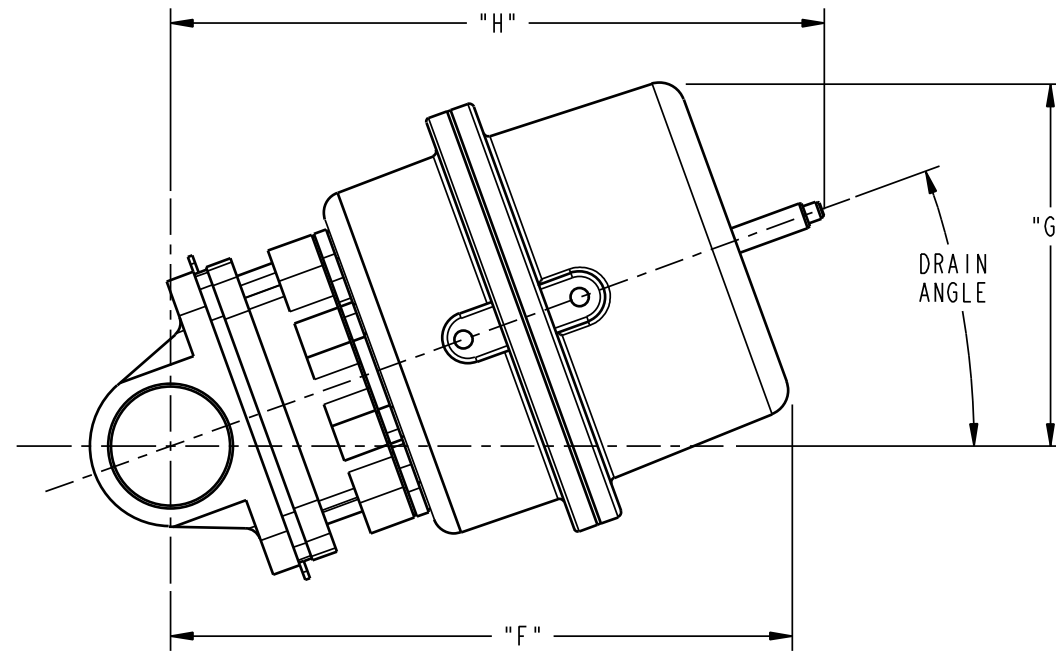
FIGURE NUMBERS

ASSEMBLY: -



VALVE SIZE	Ø "A"	"B"	"C"	"D"	"D1"	"D2"	"E"	"F"	"G"	"H"	"J"	DRAIN ANGLE
02.50 [DN65]	8.12 [206,2]	16.65 [422,9]	14.44 [366,8]	10.00 [254,0]	8.75 [222,3]	9.38 [238,3]	1.75 [44,4]	14.72 [373,9]	9.90 [251,5]	15.05 [382,3]	1.94 [49,3]	26°
03.00 [DN80]	8.12 [206,2]	16.65 [422,9]	14.44 [366,8]	10.00 [254,0]	8.75 [222,3]	9.38 [238,3]	1.75 [44,4]	14.94 [379,5]	8.70 [221,0]	15.71 [399,0]	1.94 [49,3]	20°
04.00 [DN100]	8.12 [206,2]	18.00 [457,2]	15.82 [401,8]	13.00 [330,2]	11.50 [292,1]	12.25 [311,2]	2.00 [50,8]	16.32 [414,5]	8.25 [209,6]	17.35 [440,7]	2.74 [69,6]	16°

EXTENDED BW X EXTENDED BW (428L) 02.50[DN65] & 03.00[DN80]
EXTENDED BW X EXTENDED BW (429L) 04.00[DN100]



VALVE ON DRAIN ANGLE

TC X TC (419)

TC X EXTENDED BW (419-X28L) 02.50[DN65] & 03.00[DN80]
EXTENDED BW X TC (428L-X19) 02.50[DN65] & 03.00[DN80]
TC X EXTENDED BW (419-X29L) 04.00[DN100]
EXTENDED BW X TC (429L-X19) 04.00[DN100]

PURE-FLO ORDER: - ITEM: -
CUSTOMER: -
CUSTOMER PO: -
OTHER INFO: -
ISSUED BY: - CERTIFIED BY: -

THIRD ANGLE PROJECTION

UNLESS OTHERWISE SPECIFIED, ALL DIMENSIONS ARE IN INCHES (MM)

UNLESS OTHERWISE NOTED	
INCH	MM
X : ± 0.06	X : ± 1,5
.X : ± 0.06	.X : ± 1,5
.XX : ± 0.06	.XX : ± 1,5
.XXX : ± 0.02	
X/X : ± 1/16	
X° : ± 1°	X° : ± 1°

DATE	BY	FORGED WEIR VALVE OUTLINE
03/06/07	MJM	02.50 - 04.00 ADV ACTR SERIES 33
03/06/07	JRD	-
03/06/07	JRD	WT: - ECN# 10685 MASTER DWG 008329

ITT Pure-Flo
www.ittpureflo.com

SITE PA C 008329 REV C
SHEET 1 OF 1