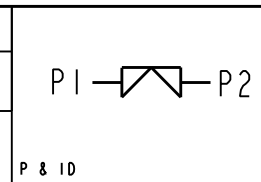


FIGURE NUMBERS

**A** -

PIPE SIZE	A	B	C	NOTES
1/2" SCH5	5.38	12°	1.75	
1/2" SCH10		14°		
1/2" SCH40		16°		
3/4" SCH5	5.88	18°	1.75	
3/4" SCH10		19°		
3/4" SCH40		21°		
1" SCH5	6.25	19°	1.75	
1" SCH10		21°		
1" SCH40		22°		I
1-1/2" SCH5	7.63	16°	2.00	
1-1/2" SCH10		18°		
1-1/2" SCH40		19°		I
2" SCH5	8.25	14°	2.00	
2" SCH10		15°		
2" SCH40		17°		I
2-1/2" SCH5	10.13	25°	2.00	
2-1/2" SCH10		25°		
2-1/2" SCH40		27°		I
3" SCH5	10.63	15°	2.25	
3" SCH10		15°		
3" SCH40		18°		I

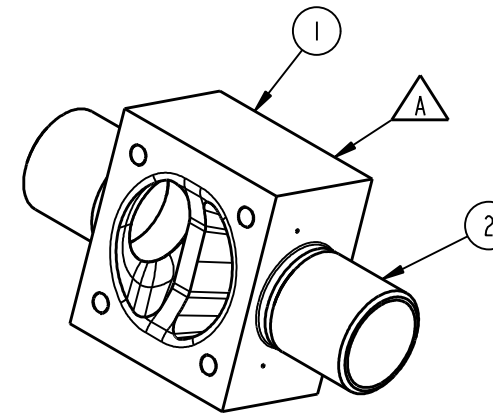
TAG NUMBERS	
	<b>A</b> VALVE ASSY
I	



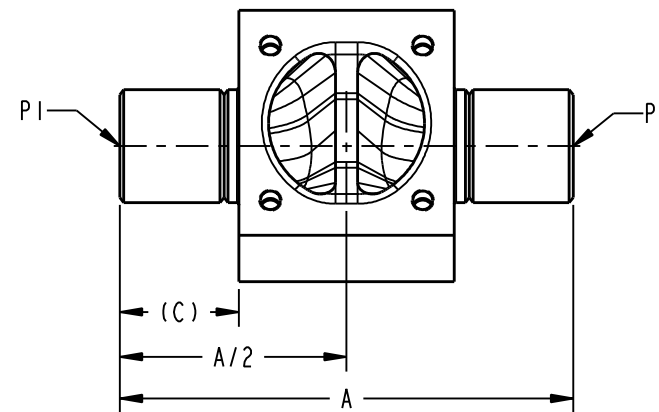
LIST OF MAJOR COMPONENTS		
ITEM	DESCRIPTION	QTY
1	CTR PORT BODY, (121500)	1
2	PIPE, SEE DWG 121699	2

NOTES:

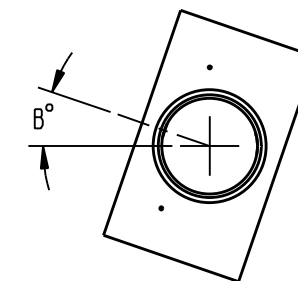
I. WELD PREP REQUIRED



ISOMETRIC VIEW



FRONT VIEW



SIDE VIEW  
VALVE IN DRAIN POSITION

THIS DOCUMENT IS THE SOLE PROPERTY OF ITT CORPORATION, OR ITS SUBSIDIARY, AND IS PROVIDED SUBJECT TO RETURN. IT IS ISSUED IN STRICT CONFIDENCE AND SHALL NOT BE REPRODUCED, OR COPIED, OR DISCLOSED IN WHOLE OR IN PART, OR USED AS THE BASIS FOR THE MANUFACTURE OR SALES OF APPARATUS OR PARTS TO WHICH THE DOCUMENT RELATES, WITHOUT THE EXPRESS WRITTEN CONSENT OF ITT CORPORATION, OR ITS SUBSIDIARY. THIS LEGEND SHALL BE MARKED ON ANY REPRODUCTION HEREOF, IN WHOLE OR IN PART. ALL RIGHTS TO THE INFORMATION AND DESIGN DISCLOSED HEREIN ARE RESERVED TO ITT CORPORATION, OR ITS SUBSIDIARY.

PURE-FLO ORDER: -	ITEM: -	THIRD ANGLE PROJECTION	UNLESS OTHERWISE NOTED	DATE	BY	VALVE ASSY W/ ANSI PIPE ENDS	<p>Pure-Flo www.ittpureflo.com</p>																				
CUSTOMER: -			<table border="0"> <tr> <td>INCH</td> <td>MM</td> </tr> <tr> <td>.X : ± 0.06</td> <td>X : ± 1.5</td> </tr> <tr> <td>.XX : ± 0.06</td> <td>.X : ± 1.5</td> </tr> <tr> <td>.XXX : ± 0.02</td> <td>.XX : ± .5</td> </tr> <tr> <td>X/X : ± 1/16</td> <td>X : ± .5</td> </tr> <tr> <td>X : ± .5</td> <td>X : ± .5</td> </tr> </table>	INCH	MM	.X : ± 0.06		X : ± 1.5	.XX : ± 0.06	.X : ± 1.5	.XXX : ± 0.02	.XX : ± .5	X/X : ± 1/16	X : ± .5	X : ± .5	X : ± .5	DWN 04/29/11	LFV		<table border="1"> <tr> <td>C</td> <td>A26967</td> <td>SHEET</td> <td>REV</td> </tr> <tr> <td></td> <td></td> <td>1 OF 1</td> <td>-</td> </tr> </table>	C	A26967	SHEET	REV			1 OF 1
INCH	MM																										
.X : ± 0.06	X : ± 1.5																										
.XX : ± 0.06	.X : ± 1.5																										
.XXX : ± 0.02	.XX : ± .5																										
X/X : ± 1/16	X : ± .5																										
X : ± .5	X : ± .5																										
C	A26967	SHEET	REV																								
		1 OF 1	-																								
CUSTOMER PO: -		UNLESS OTHERWISE SPECIFIED, ALL DIMENSIONS ARE IN INCHES		CHKD 04/29/11	MMA																						
OTHER INFO: -				APVD 04/29/11	JRD	MASTER DWG: A26967/-	ISSUED BY: -																				
						ECN# 13474	CERT BY: -																				