



# ITT

Pure-Flo®

## Crossover (CROD & CRO)

Bioprocessing often requires the use of flow through equipment that must be isolated for maintenance. To facilitate maintenance without shutting down the entire process a configuration of three valves is typically used to isolate and bypass when necessary. The crossover valve integrates these three valves into a single drainable block with minimized deadlegs and hold up volume.

### Typical Applications:

- Isolation and bypass or equipment such as filters, housings and bubble traps.

### Specifications:

- CROD - Crossover with Drain Angle (only for horizontal applications)
- CRO - Crossover (does not drain through the bypass valve)

#### Standard Sizes:

- 0.5" BT - 2" (DN 8 - 50) Valve size
- Other sizes available upon request

#### Materials:

- 316L ASTM - A479
- DN 177440, 1.4435
- AL6XN
- Hasteloy C-22 & C-276
- Other materials available upon request

#### Standard End Connections:

- 14, 16, 18, 20 Gauge OD tubing
- DIN/ISO
- Tri-Clover Tri-Clamp®
- Others available upon request

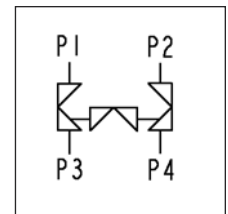
Compatible with standard Pure-Flo topworks:  
See PFTOP for details on available manual bonnets or actuators.



CROD

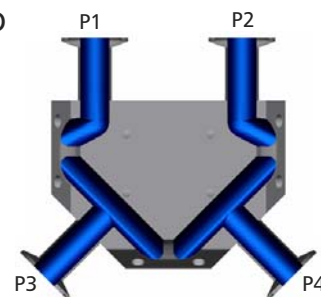


CRO

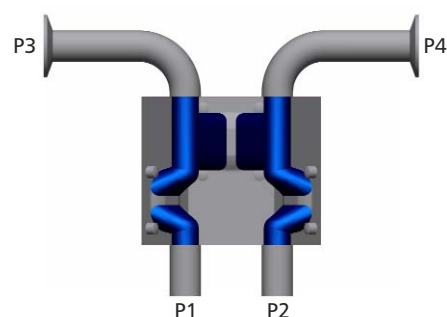


### Flow Path

CROD



CRO



*Engineered for life*



# ITT

Pure-Flo®

## How to Order a Crossover

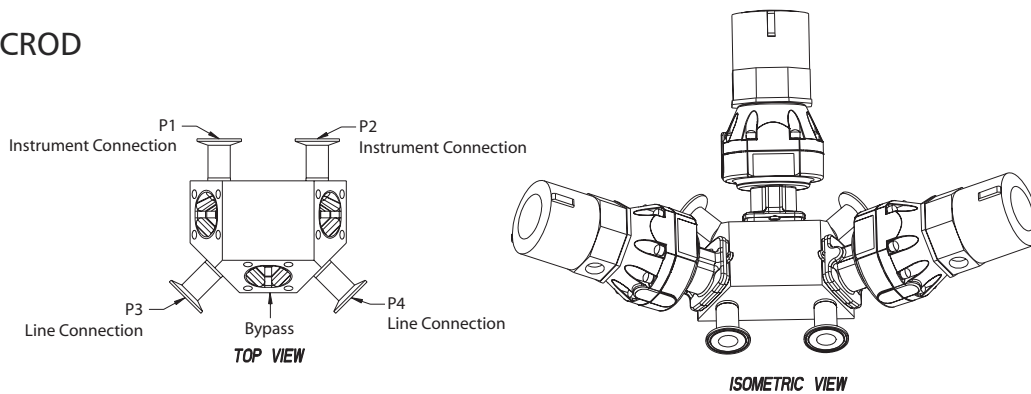
1" Crossover with Drain Angle, wrought stainless steel, Tri-Clamp end connections, 25 Ra interior finish, standard exterior finish (Scotch Brite).

**Figure Number:** CROD-1-419-W-6-1-0

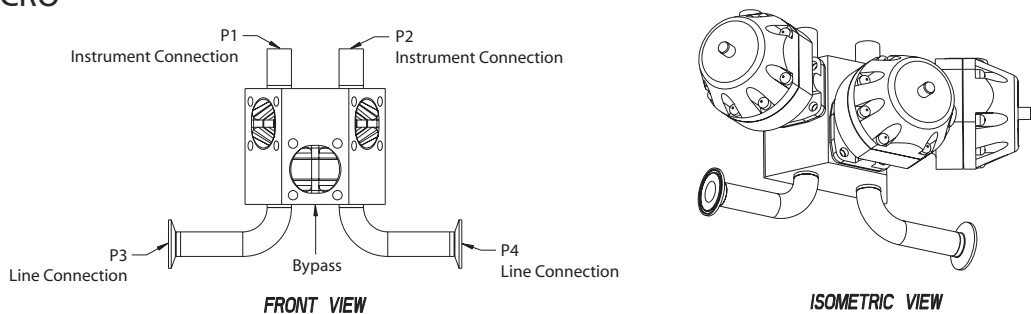
Configuration Example		CROD	1	419	W	6-1-0
Valve Body	Block Type	CROD				
	Valve Size		1			
	Type (.5" only)*					
	Body End Connections (P1 - P4)			419		
	Body Material				W	
	Polish Selections					6-1-0

\* For .5 inch valve, must specify Pure-Flo (PF) or Bio-Tek (BT).  
To add topworks, see BBTOP-07. For additional figure numbers, see PFORD.

### CROD



### CRO



Please contact Pure-Flo CA at 805-520-7200 for the latest drawing and dimensional information. The above drawing should only be used as a general reference.