



# ITT

Pure-Flo®

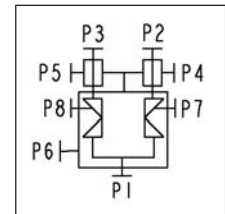
## Sterile Tank Vent Filter Shunt (DV2WS)

The DV2WS is a 2-Way Divert valve designed to facilitate changing from one vent filter to another on WFI storage tanks without interrupting operations.

Normally vent filter cartridges are not changed during operation due to potential for contamination. Large systems designed for continuous use often require two separate vent filtration units. The Sterile Filter Shunt valve is a sterilizable tank vent shunt valve assembly mounted on a single nozzle designed for this purpose.



The steam traced version of this valve when used with a steam jacketed filter housing, will prevent condensation from forming inside the filter housing. The assembly consists of a 2-way divert valve. The upstream side of the valve is connected to the two filter housings. The common port is connected to the tank vent nozzle. A steam condensate discharge port is positioned tangential to the weir of both valves. Two additional valves are used to close the condensate port after sterilization. These valves in turn are connected to a steam trap which then goes to drain.



DV2WS

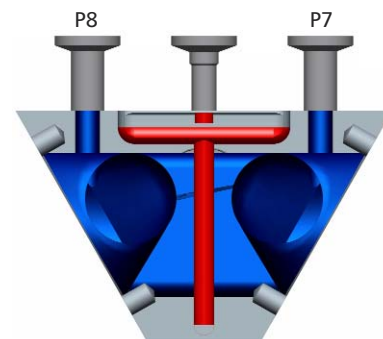
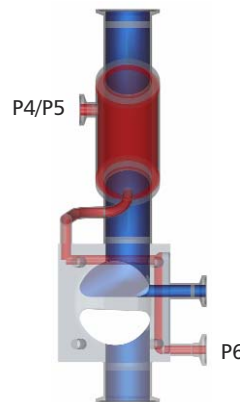
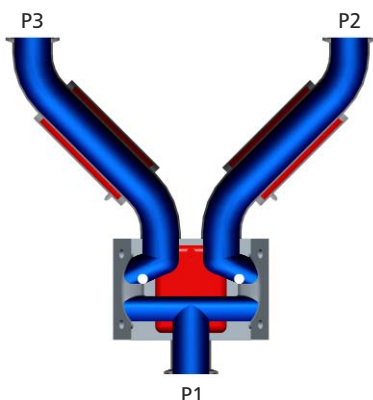
### Typical Applications:

- Used to change a vent filter cartridge on a WFI tank while the system is in operation

### Specifications

- Available in 1.5" and 2" valve sizes (DN 40 and DN 50).
- Valve can be adapted for larger tank port sizes.

### Flow Path



*Engineered for life*



# ITT

Pure-Flo®

## How to Order a DV2WS

Sterile Tank Vent Filter Shunt with a 1.5" wrought stainless steel body, inlet and outlets have Tri-Clamp ends, outlet is Option 2, 25 Ra interior finish, standard exterior finish (Scotch Brite).

**Figure Number:** DV2WS-1.5-419-W-6-1-0

Configuration Example		DV2WS	1.5	419	W	6-1-0
Valve Body	Body Type	DV2WS				
	Valve Size <sup>1</sup>		1.5			
	Common Port Size (P1) <sup>2</sup>					
	End Connections			419		
	Body Material				W	
	Polish Selections					6-1-0

<sup>1</sup> Standard sizes: 1.5" and 2"

<sup>2</sup> Common Port Size option provides increased clamp size to connect directly to an available tank port.

Valve Size: 1.5" and 2"

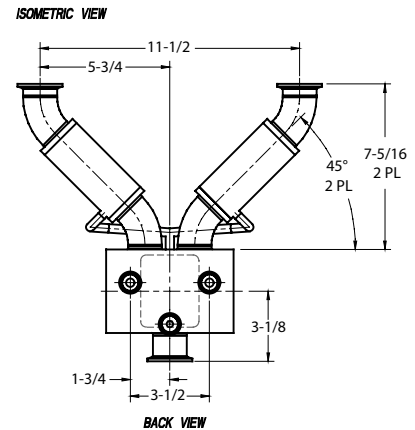
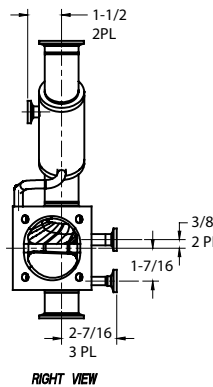
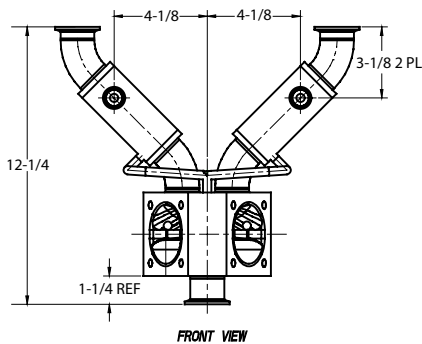
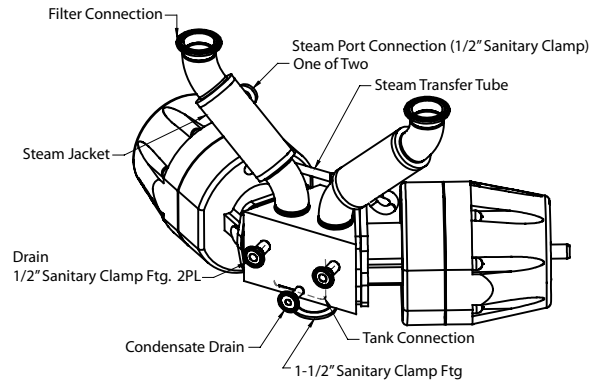
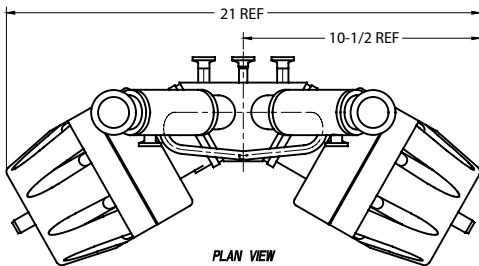
Optional Common Port Size for 1.5: 2", 2.5", 3", 4"

Optional Common Port Size for 2: 2.5", 3", 4"

Consult the factory for non-jacketed versions available for use with electric heaters.

To add topworks, see BBTOP-07. For additional figure numbers, see PFORD.

## DV2WS - 1.5" valve size



Please contact Pure-Flo CA at 805-520-7200 for the latest drawing and dimensional information. The above drawing should only be used as a general reference.

© 2007 ITT Corporation  
Industrial Process

DV2WS-07

ITT Pure-Flo  
33 Centerville Road  
Lancaster, PA 17603  
(717) 509-2200  
www.ittpureflo.com