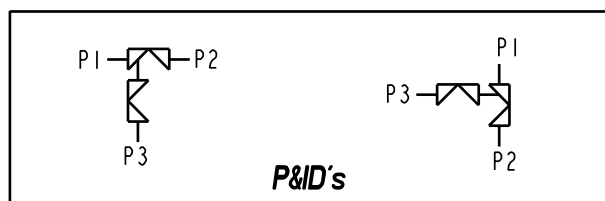
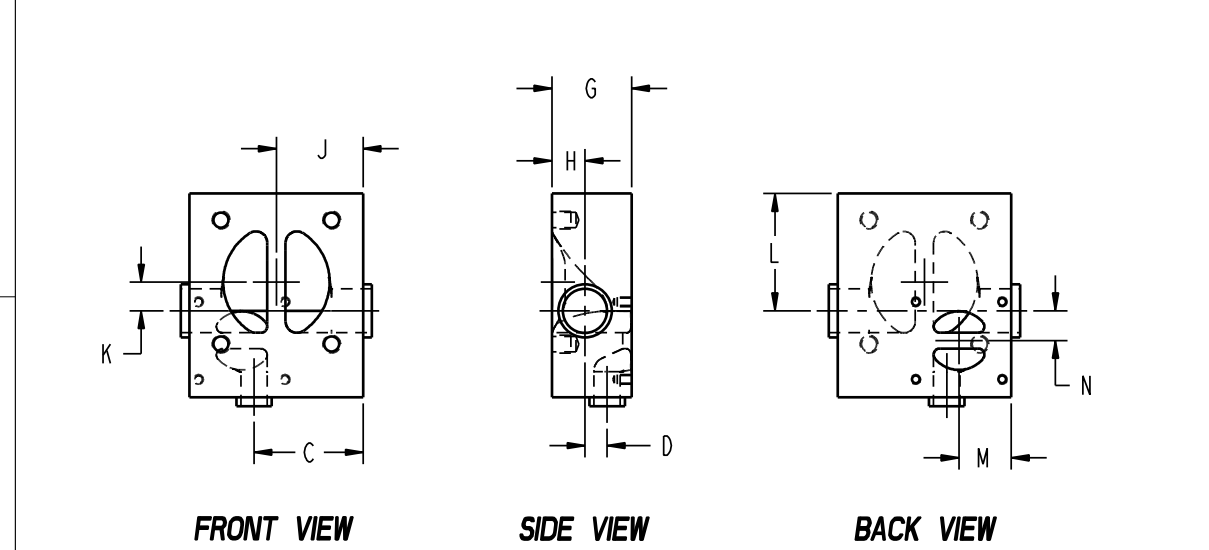
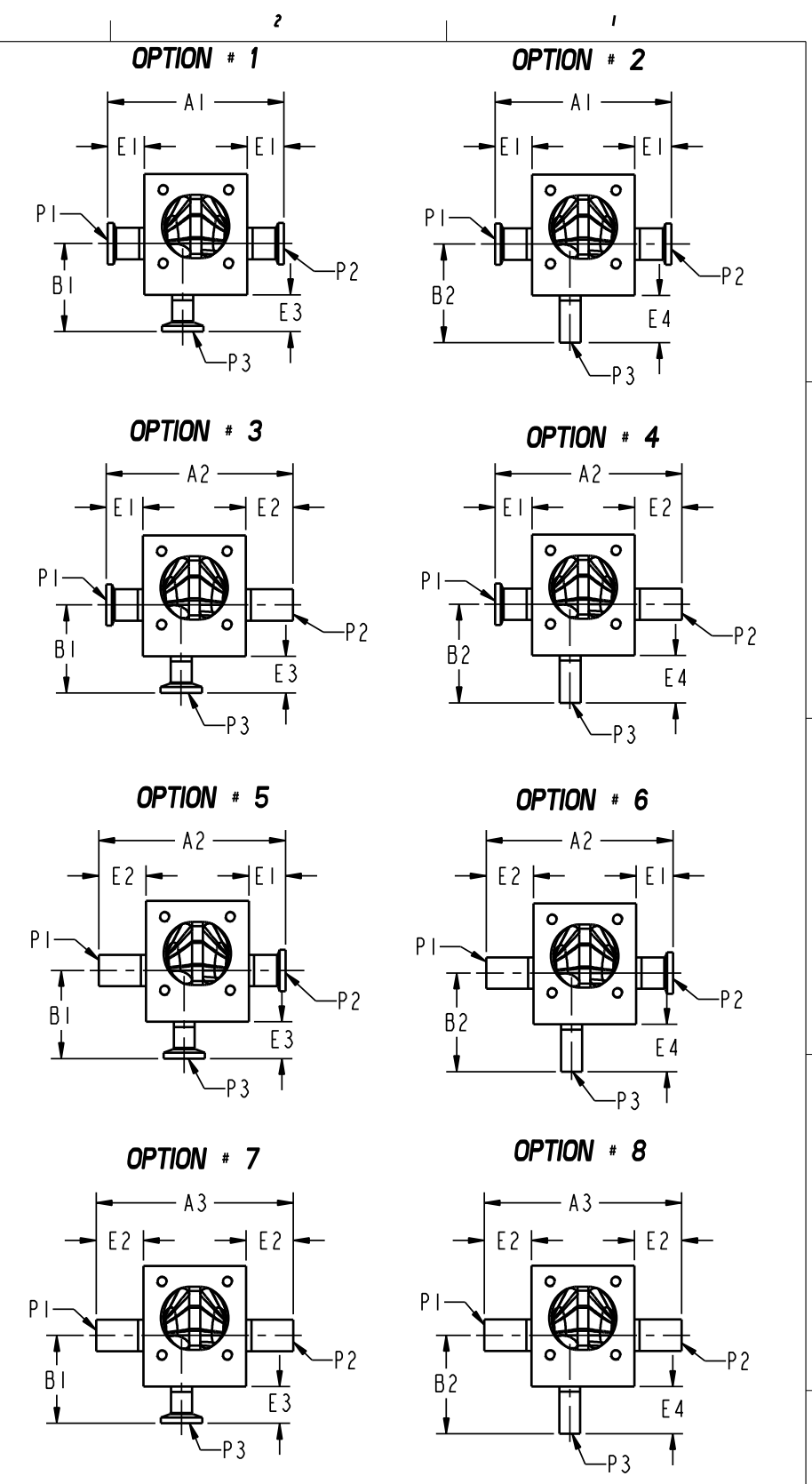


VALVE SIZE (MAIN x PURGE)	DIMENSIONS <small>NOTE: ALL DIMENSIONS IN BRACKETS [] ARE MILLIMETERS</small>																	
	A1	A2	A3	B1	B2	C	D	E1	E2	E3	E4	G	H	J	K	M	N	L
1/2"BT x 1/2"BT	3.25 [82.6]	4.25 [108.0]	5.25 [133.4]	1.67 [42.4]	2.67 [67.8]	1.05 [26.7]	0.09 [2.29]	0.625 [15.9]	1.63 [41.3]	0.625 [15.9]	1.63 [41.3]	0.78 [19.8]	0.35 [8.9]	0.75 [19.1]	0.17 [4.3]	0.78 [19.8]	0.30 [7.6]	0.96 [24.4]
1/2"PF x 1/2"BT	3.53 [89.7]	4.53 [115.1]	5.53 [140.5]	1.67 [42.4]	2.67 [67.8]	1.32 [33.5]	0.12 [3.1]	0.625 [15.9]	1.63 [41.3]	0.625 [15.9]	1.63 [41.3]	0.81 [20.6]	0.35 [8.9]	1.00 [25.4]	0.29 [7.4]	0.80 [20.3]	0.30 [7.6]	1.29 [32.6]
1/2"PF x 1/2"PF	3.85 [97.8]	4.85 [123.2]	5.85 [148.6]	1.94 [49.3]	2.94 [74.7]	1.32 [33.5]	0.19 [4.8]	0.625 [15.9]	1.63 [41.3]	0.625 [15.9]	1.63 [41.3]	0.88 [22.4]	0.35 [8.9]	1.00 [25.4]	0.29 [7.4]	1.00 [25.4]	0.32 [8.1]	1.29 [32.6]
3/4" x 1/2"BT	3.70 [94.0]	4.70 [119.4]	5.70 [144.8]	1.85 [47.0]	2.85 [72.4]	1.54 [39.1]	0.31 [7.9]	0.625 [15.9]	1.63 [41.3]	0.625 [15.9]	1.63 [41.3]	1.13 [28.7]	0.47 [11.9]	1.22 [31.0]	0.41 [10.4]	0.91 [23.1]	0.42 [10.7]	1.66 [42.0]
3/4" x 1/2"PF	4.07 [103.4]	5.07 [128.8]	6.07 [154.2]	2.07 [52.6]	3.07 [78.0]	1.54 [39.1]	0.40 [10.2]	0.625 [15.9]	1.63 [41.3]	0.625 [15.9]	1.63 [41.3]	1.22 [31.0]	0.47 [11.9]	1.22 [31.0]	0.41 [10.4]	1.00 [25.4]	0.44 [11.2]	1.66 [42.0]
3/4" x 3/4"	4.57 [116.1]	5.57 [141.5]	6.57 [166.9]	2.28 [57.9]	3.28 [83.3]	1.66 [42.2]	0.22 [5.6]	0.625 [15.9]	1.63 [41.3]	0.625 [15.9]	1.63 [41.3]	1.16 [29.5]	0.47 [11.9]	1.22 [31.0]	0.41 [10.4]	1.25 [31.8]	0.44 [11.2]	1.66 [42.0]
1" x 1/2"BT	5.25 [133.4]	6.25 [158.8]	7.25 [184.2]	1.96 [49.8]	2.96 [75.2]	1.70 [43.2]	0.47 [11.9]	1.25 [31.8]	1.63 [41.3]	0.625 [15.9]	1.63 [41.3]	1.75 [44.5]	0.94 [23.9]	1.38 [35.1]	0.48 [12.2]	0.87 [22.1]	0.55 [14.0]	1.92 [48.8]
1" x 1/2"PF	5.50 [139.7]	6.50 [165.1]	7.50 [190.5]	2.19 [55.6]	3.19 [81.0]	1.71 [43.4]	0.56 [14.2]	1.25 [31.8]	1.63 [41.3]	0.625 [15.9]	1.63 [41.3]	1.84 [46.7]	0.94 [23.9]	1.38 [35.1]	0.48 [12.2]	1.00 [25.4]	0.57 [14.5]	1.92 [48.8]
1" x 3/4"	5.93 [150.6]	6.93 [176.0]	7.93 [201.4]	2.41 [61.2]	3.41 [86.6]	1.84 [46.7]	0.41 [10.4]	1.25 [31.8]	1.63 [41.3]	0.625 [15.9]	1.63 [41.3]	1.81 [46.0]	0.94 [23.9]	1.38 [35.1]	0.48 [12.2]	1.19 [30.2]	0.57 [14.5]	1.92 [48.8]
1" x 1"	6.41 [162.8]	7.41 [188.2]	8.41 [213.6]	3.24 [82.3]	4.24 [107.7]	1.96 [49.8]	0.02 [0.5]	1.25 [31.8]	1.63 [41.3]	0.625 [15.9]	1.63 [41.3]	1.85 [47.0]	0.94 [23.9]	1.38 [35.1]	0.48 [12.2]	1.47 [37.3]	0.59 [15.0]	1.92 [48.8]
1-1/2" x 1/2"BT	6.13 [155.7]	7.13 [181.1]	8.13 [206.5]	2.19 [55.6]	3.19 [81.0]	2.19 [55.6]	0.66 [16.8]	1.25 [31.8]	1.63 [41.3]	0.625 [15.9]	1.63 [41.3]	2.13 [54.1]	1.12 [28.4]	1.81 [46.0]	0.57 [14.5]	1.27 [32.3]	0.80 [20.3]	2.57 [65.2]
1-1/2" x 1/2"PF	6.13 [155.7]	7.13 [181.1]	8.13 [206.5]	2.44 [62.0]	3.44 [87.4]	2.19 [55.6]	0.81 [20.6]	1.25 [31.8]	1.63 [41.3]	0.625 [15.9]	1.63 [41.3]	2.28 [57.9]	1.12 [28.4]	1.81 [46.0]	0.57 [14.5]	1.15 [29.2]	0.80 [20.3]	2.57 [65.2]
1-1/2" x 3/4"	6.47 [164.3]	7.47 [189.7]	8.47 [215.1]	2.69 [68.3]	3.69 [93.7]	2.31 [58.7]	0.72 [18.3]	1.25 [31.8]	1.63 [41.3]	0.625 [15.9]	1.63 [41.3]	2.31 [58.7]	1.12 [28.4]	1.81 [46.0]	0.57 [14.5]	1.25 [31.8]	0.82 [20.8]	2.57 [65.2]
1-1/2" x 1"	6.86 [174.2]	7.86 [200.0]	8.86 [225.4]	3.46 [87.9]	4.46 [113.3]	2.44 [62.0]	0.32 [8.1]	1.25 [31.8]	1.63 [41.3]	0.625 [15.9]	1.63 [41.3]	2.38 [60.4]	1.12 [28.4]	1.81 [46.0]	0.57 [14.5]	1.44 [36.6]	0.84 [21.3]	2.57 [65.2]
1-1/2" x 1-1/2"	7.75 [196.9]	8.75 [222.3]	9.75 [247.7]	3.94 [100.1]	4.94 [125.5]	2.69 [68.3]	0.10 [2.5]	1.25 [31.8]	1.63 [41.3]	0.625 [15.9]	1.63 [41.3]	2.34 [59.4]	1.12 [28.4]	1.81 [46.0]	0.57 [14.5]	2.00 [50.8]	0.88 [22.4]	2.57 [65.2]
2" x 1/2"BT	6.75 [171.5]	7.75 [196.9]	8.75 [222.3]	2.56 [65.0]	3.56 [90.4]	2.50 [63.5]	0.85 [21.6]	1.25 [31.8]	1.88 [47.6]	0.625 [15.9]	1.63 [41.3]	2.63 [66.8]	1.44 [36.6]	2.13 [54.1]	0.57 [14.5]	1.58 [40.1]	1.04 [26.4]	3.07 [77.9]
2" x 1/2"PF	6.75 [171.5]	7.75 [196.9]	8.75 [222.3]	2.69 [68.3]	3.69 [93.7]	2.50 [63.5]	0.97 [24.6]	1.25 [31.8]	1.88 [47.6]	0.625 [15.9]	1.63 [41.3]	2.75 [69.9]	1.44 [36.6]	2.13 [54.1]	0.57 [14.5]	1.47 [37.3]	1.06 [26.9]	3.07 [77.9]
2" x 3/4"	6.78 [172.2]	7.78 [197.6]	8.78 [223.0]	2.87 [72.9]	3.87 [98.3]	2.63 [66.8]	0.91 [23.1]	1.25 [31.8]	1.88 [47.6]	0.625 [15.9]	1.63 [41.3]	2.81 [71.4]	1.44 [36.6]	2.13 [54.1]	0.57 [14.5]	1.25 [31.8]	1.07 [27.2]	3.07 [77.9]
2" x 1"	7.19 [182.6]	8.19 [208.0]	9.19 [233.4]	3.71 [94.2]	4.71 [119.6]	2.75 [69.9]	0.57 [14.5]	1.25 [31.8]	1.88 [47.6]	0.625 [15.9]	1.63 [41.3]	2.94 [74.7]	1.44 [36.6]	2.13 [54.1]	0.57 [14.5]	1.46 [37.1]	1.09 [27.7]	3.07 [77.9]
2" x 1-1/2"	8.07 [205.0]	9.07 [230.4]	10.07 [255.8]	4.19 [106.4]	5.19 [131.8]	3.00 [76.2]	0.44 [11.2]	1.25 [31.8]	1.88 [47.6]	0.625 [15.9]	1.63 [41.3]	3.00 [76.2]	1.44 [36.6]	2.13 [54.1]	0.57 [14.5]	2.00 [50.8]	1.12 [28.5]	3.07 [77.9]
2" x 2"	8.81 [223.8]	9.81 [249.2]	10.81 [274.6]	4.50 [114.3]	5.50 [139.7]	3.25 [82.6]	0.13 [3.3]	1.25 [31.8]	1.88 [47.6]	0.625 [15.9]	1.63 [41.3]	3.00 [76.2]	1.44 [36.6]	2.13 [54.1]	0.57 [14.5]	2.50 [63.5]	1.13 [28.7]	3.07 [77.9]



THIS DOCUMENT IS THE SOLE PROPERTY OF ITT INDUSTRIES, INC., OR ITS SUBSIDIARY, AND IS PROVIDED SUBJECT TO RETURN. IT IS ISSUED IN STRICT CONFIDENCE AND SHALL NOT BE REPRODUCED, OR COPIED, OR DISCLOSED IN WHOLE OR IN PART, OR USED AS THE BASIS FOR THE MANUFACTURE OR SALES OF APPARATUS OR PARTS TO WHICH THE DOCUMENT RELATES, WITHOUT THE EXPRESS WRITTEN CONSENT OF ITT INDUSTRIES, INC., OR ITS SUBSIDIARY. THIS LEGEND SHALL BE MARKED ON ANY REPRODUCTION HEREOF, IN WHOLE OR IN PART. ALL RIGHTS TO THE INFORMATION AND DESIGN DISCLOSED HEREIN ARE RESERVED TO ITT INDUSTRIES, INC., OR ITS SUBSIDIARY.

TOLERANCES		THIRD ANGLE PROJECTION		TABULATED ISG VALVE ASSY. (LH) 1/2" BT THRU 2" PF		 Pure-Flo www.ittpureflo.com
X = ± .06" [1.5mm] .X = ± .03" [0.76mm] .XX = ± .02" [0.5mm] .XXX = ± .005" [0.12mm] X/X = ± .06" [1.5mm] .X* = ± .5" X* = ± 1"		 UNLESS OTHERWISE SPECIFIED, ALL DIMENSIONS ARE IN INCHES (METRIC)		DRAWN BY: L. ZELL DATE: 07-Jan-03	REV: B	
CODE: TAB/ISG		LAST REV. BY: L. VENTURA		REV. DATE: 07/07/06 APVD BY: P. SCHWIND	APVD DATE: 07/07/06 SIZE: D SCALE: 1:2 SHEET: 1/1	A10008

END CONNECTION OPTIONS