

Manual Bonnet Mechanical Switch

A single Mechanical Switch is now an available option with PAS (polyarylsulfone) and stainless steel Pure-Flo® manual bonnets. The switch is adjustable and is designed to indicate when the valve has reached the closed position. The switch is available in valve sizes 1/2" through 2". The mechanical switch is available with silver contacts rated at 250 vac, 5A. Gold contacts are also available and are rated at 30 vdc, 0.1A. The maximum external temperature of the switch housing is 150° F The switch enclosure complies with NEMA 4x/IP65 and the individual switches are UL and CSA listed.



Materials and Specifications

Bonnet Configuration - Hand wheel operated PAS and Stainless Steel bonnet assemblies

Size Range -0.50", 0.75", 1.00", 1.50" and 2.00"

Enclosure Size -2.75" L x 1.18" square

External Housing Material - Nylon

Switch Voltage - 250 vac, 5A (silver contacts) or 30 vdc, 0.1A (gold contacts)

Temperature Ratings - external - 32° F to 150° F;

Wash Down Capabilities - IPA, Sodium Hypochlorite, Sodium Hydroxide, Hydrogen Peroxide, chloride detergents

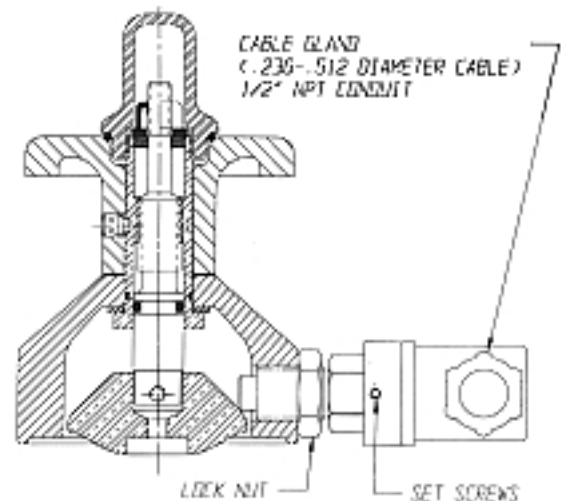
Approvals - Enclosure; Nema 4X hosedown, IP 65. Mechanical Switches; UL/CSA approvals

Conduit port - 1/2" NPT

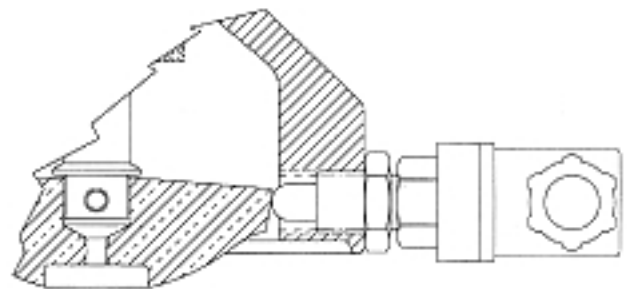
Terminals - NO, NC, C

Wire Gage - 14-20 AWG

Adjustability - Switch is adjustable, housing can be rotated 360° to position conduit.



00.50-01.00 Manual Bonnet Switch



01.50 & 02.00 Manual Bonnet Switch

Pure-Flo® Solutions Group

For more information, please contact:

Pure-Flo Solutions Group Headquarters

33 Centerville Road, P.O. Box 6164

Lancaster, PA 17603-2064 USA

or call: (800) 366-1111

(717) 509-2200

Fax: (717) 509-2336

Website: www.engvalves.com

E-mail: engvalves.custserv@itt.com

Valve Office Locations:

Pure-Flo California

110-B West Cochran
Simi Valley, CA 93065
Phone 800-926-8884
Phone (805) 520-7200
Fax (805) 520-7205

Pure-Flo UK

Richards Street
Kirkham, Lancashire
PR4 2HU, England
Phone +44 1772 682696
Fax + 44 1772 686006

