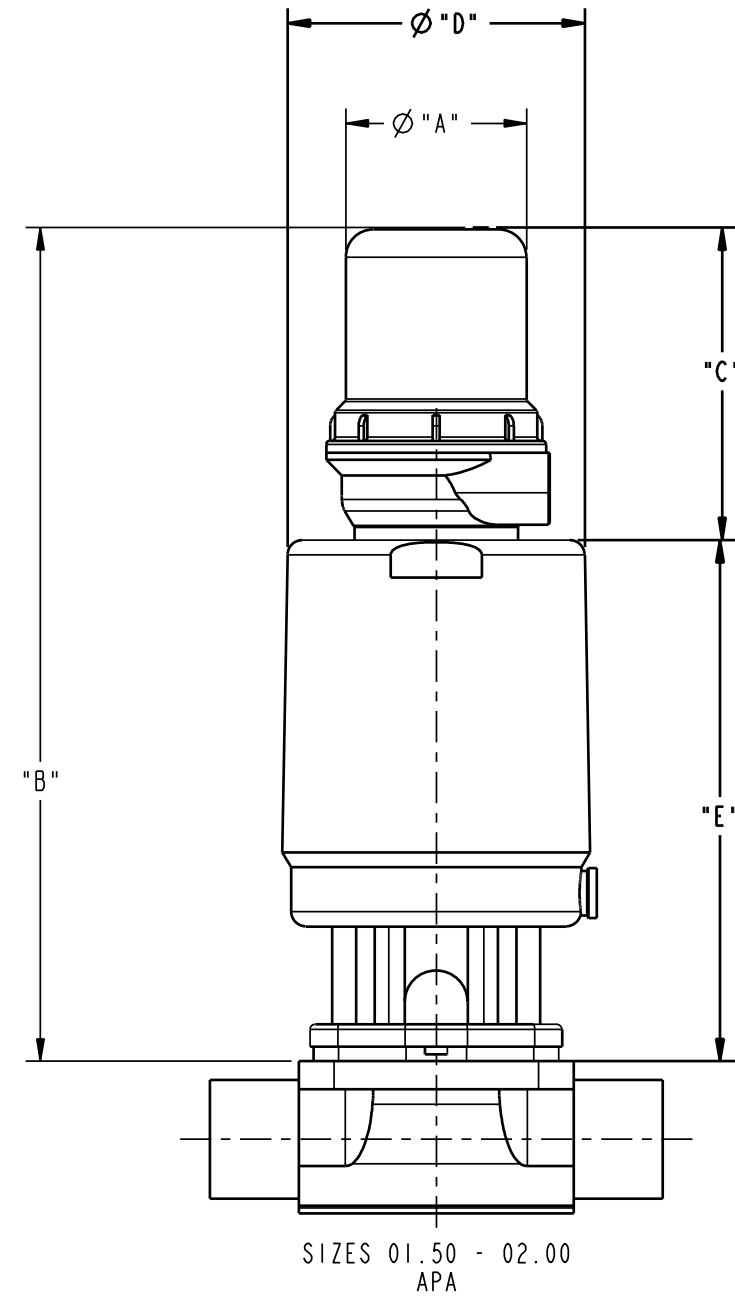
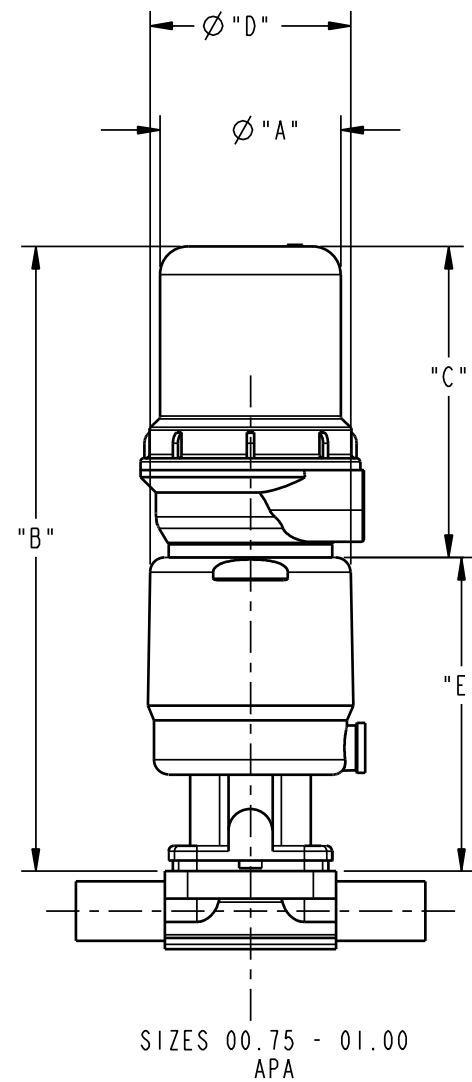
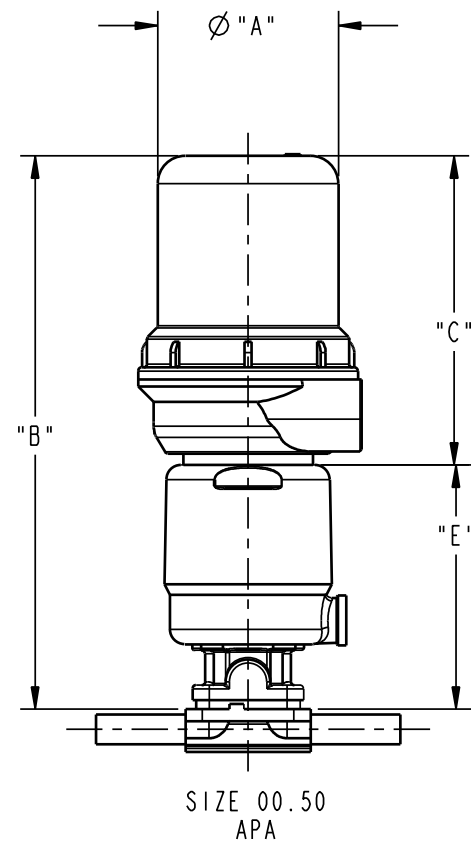


FIGURE NUMBERS

ASSEMBLY: -

| VALVE SIZE | Ø "A" | "B" | "C" | Ø "D" | "E" |
|--------------------|----------------|------------------|-----------------|-----------------|-----------------|
| PF 00.50 [DN15] | 3.04 [77,2] | 9.34 [237,2] | 5.23 [132,8] | N/A | 4.11 [104,4] |
| 00.75 [DN20] | 3.04 [77,2] | 10.25 [260,4] | 5.23 [132,9] | 3.38 [85,9] | 5.02 [127,5] |
| 01.00 [DN25] | 3.04 [77,2] | 10.51 [267,0] | 5.23 [132,8] | 3.38 [85,9] | 5.28 [134,1] |
| 01.50 [DN40] | 3.04 [77,2] | 13.83 [351,3] | 5.26 [133,6] | 5.00 [127,0] | 8.57 [217,7] |
| 02.00 [DN50] | 3.04 [77,2] | 14.03 [356,4] | 5.26 [133,6] | 5.00 [127,0] | 8.77 [222,8] |



PURE-FLO ORDER: - ITEM: -
 CUSTOMER: -
 CUSTOMER PO: -
 OTHER INFO: -
 ISSUED BY: - CERTIFIED BY: -

THIRD ANGLE PROJECTION

UNLESS OTHERWISE SPECIFIED, ALL DIMENSIONS ARE IN INCHES (MM)

| UNLESS OTHERWISE NOTED | |
|------------------------|-------------|
| INCH | MM |
| X : ± 0.06 | X : ± 1,5 |
| .X : ± 0.06 | .X : ± 1,5 |
| .XX : ± 0.06 | .XX : ± 1,5 |
| .XXX : ± 0.02 | |
| X/X : ± 1/16 | |
| X° : ± 1° | |

| DATE | BY | TOPWORKS OUTLINE |
|---------------|-----|------------------------------------|
| DWN 04/30/07 | MJM | W/ SP-2 SWITCH & APA |
| CHKD 04/30/07 | JRD | 00.50 - 02.00 |
| APVD 04/30/07 | JRD | WT: - ECN# 10685 MASTER DWG 009601 |

ITT Pure-Flo
www.ittpureflo.com

| | | | |
|---------|---|--------------|-------|
| SITE PA | C | 009601 | REV A |
| | | SHEET 1 OF 1 | |