



# ITT

## Switch Package SP3

### Size Range

1/4"-2" (DN 8-50)

### Temperature

140°F (60°C)

### Housing Material

Housing: Polyamide, FDA compliant.  
Cover: Polysulfone, FDA compliant.  
Maximum temperature is 140°F (60°C).

### Switch Selection

- Mechanical
- Proximity

### Conduit Ports

One 1/2" NPT conduit port, located radially at any position, 360°.

### Electrical Rating

Nema: Nema 4x

Ingress Protection Rating: IP65

Class I, Div 1, Groups A-D:  
SP3N with amplifier

Class I, Div 2, Group A-D:  
SP3Z  
SP3P  
SP3NP

Intrinsic Safety  
(FM and CSA approved):  
SP3N with amplifier

Cenelec Zones 0, 1, 2:  
SP3N with amplifier

**Pure-Flo®**



Hermetically Sealed: Proximity Switches.  
Wire Gauge: 16 Gauge

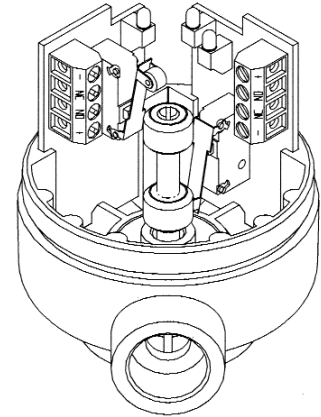
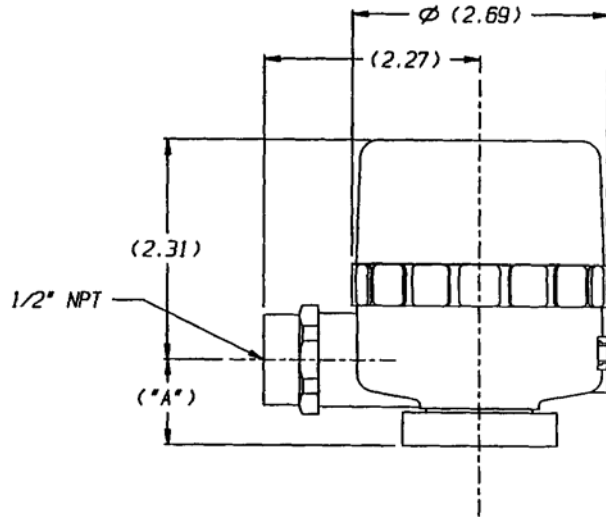
UL and CSA Approved:  
Switches and terminal strip

Note: SP3.0 is not autoclavable.

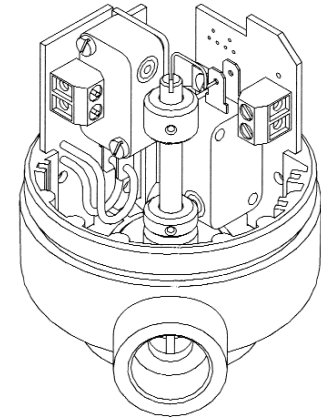


# ITT

## Switch Package SP3



Mechanical



Proximity

Actuator Size	("A" )
Bio-Tek - 1.0	(0.98)
1.5 & 2.0	(1.46)

Switch Package SP3				
Order Code	Switch Type	Switch Contact/ Output	Amperage	Voltage
SP3S240	Mechanical	Silver	10 A	230 VAC/DC
SP3S110	Mechanical	Silver	10 A	110 VAC/DC
SP3S48	Mechanical	Silver	12 A	48 VAC/DC
SP3G	Mechanical	Gold	100 mA	30 VAC/DC
SP3Z	Proximity	2 Wire "Z"	100 mA	30 VDC
SP3N	Proximity	2 Wire Namur	3 mA	24 VDC
SP3P	Proximity	3 Wire PNP	200 mA	30 VDC
SP3NP	Proximity	3 Wire NPN	200 mA	30 VDC



# ITT

## Switch Package SP3: Wiring Schematic

