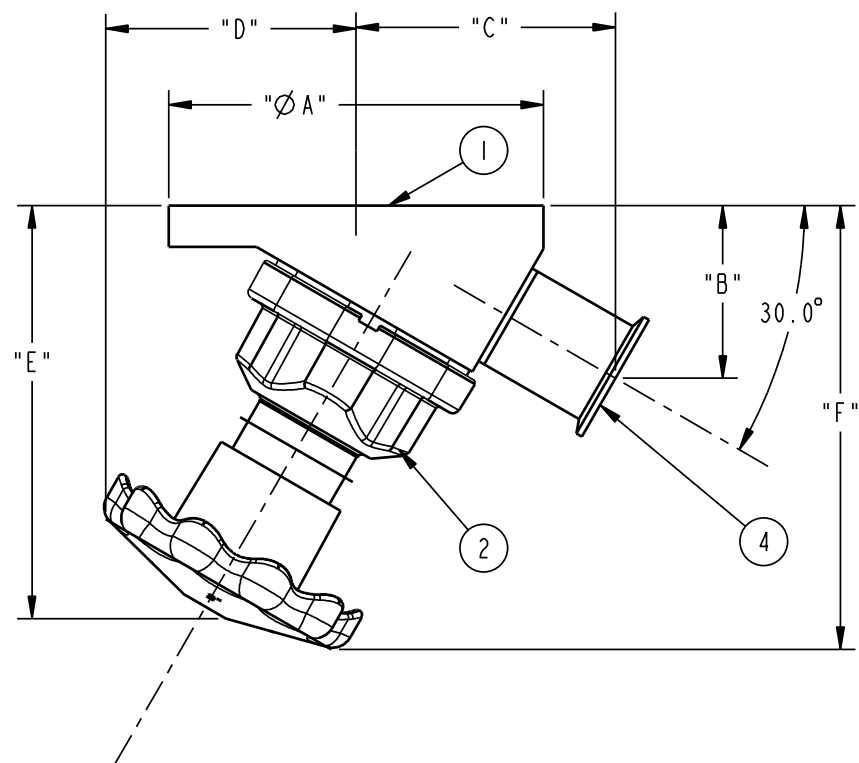


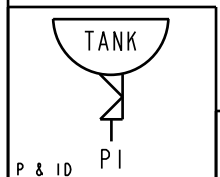
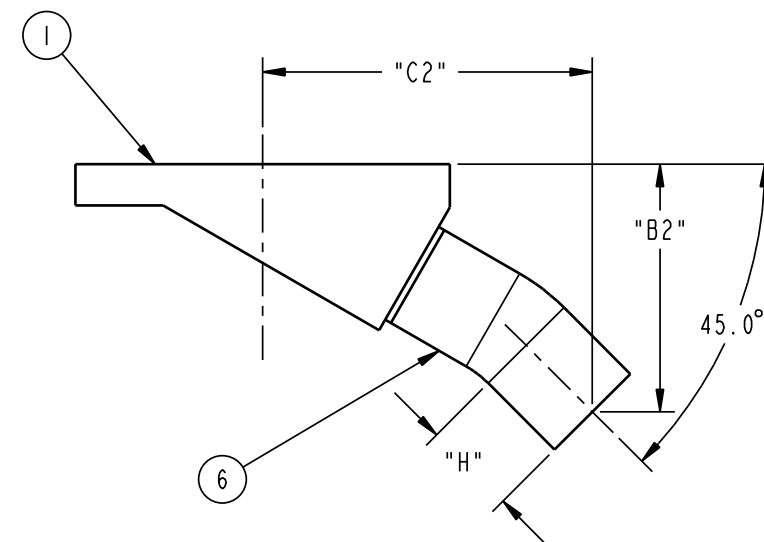
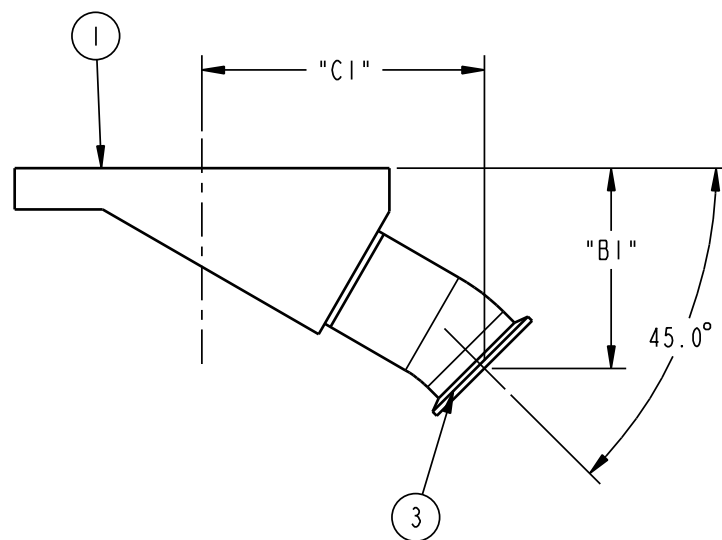
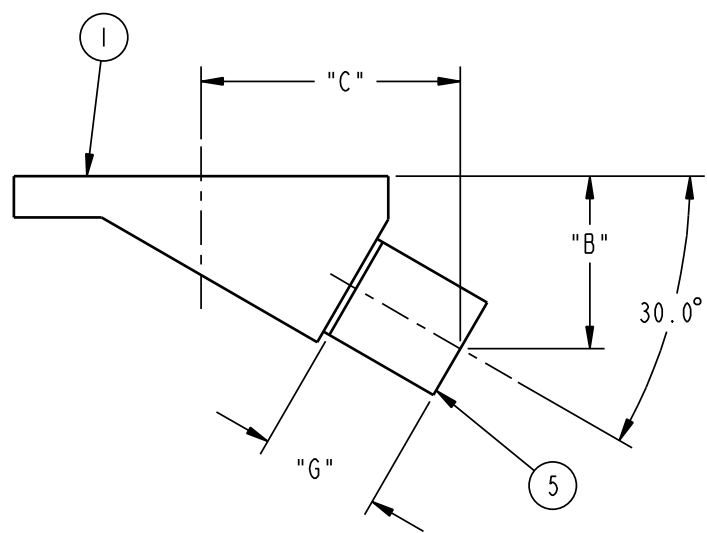
FIGURE NUMBERS

ASSEMBLY: -



SIZE	"ØA"	"B"	"B1"	"B2"	"C"	"C1"	"C2"	"D"	"E"	"F"	"G"	"H"
00.50 [DN15]	2.75 [69,9]	2.19 [55,7]	2.60 [66,1]	3.45 [87,6]	2.70 [68,5]	3.10 [78,6]	3.95 [100,2]	2.63 [66,9]	4.32 [109,7]	4.64 [118,0]	1.75 [44,5]	1.50 [38,1]
01.00 [DN25]	3.75 [95,3]	2.22 [56,4]	2.75 [70,0]	3.45 [87,6]	3.08 [78,1]	3.63 [92,3]	4.34 [110,2]	3.17 [80,5]	5.02 [127,4]	5.34 [135,7]	1.75 [44,5]	1.50 [38,1]
01.50 [DN40]	5.50 [139,7]	2.53 [64,4]	3.18 [80,9]	3.89 [98,7]	3.81 [96,8]	4.52 [114,9]	5.22 [132,7]	4.50 [114,4]	6.63 [168,5]	7.21 [183,1]	1.75 [44,5]	1.50 [38,1]
02.00 [DN50]	7.00 [177,8]	3.22 [81,8]	3.74 [94,9]	4.62 [117,4]	4.85 [123,1]	5.28 [134,0]	6.16 [156,5]	4.68 [118,8]	7.72 [196,0]	8.29 [210,6]	2.25 [57,2]	1.75 [44,5]

LIST OF MAJOR COMPONENTS			
ITEM	DESCRIPTION	MATERIAL	QTY
1	BODY TANK BOTTOM VALVE	STN STL 316L	1
2	BONNET ASSEMBLY-HWO		1
3	FABRICATED FERRULE TC	STN STL 316L	1
4	FERRULE TC	STN STL 316L	1
5	TUBING	STN STL 316L	1
6	FABRICATED TUBING	STN STL 316L	1



THIS DOCUMENT IS THE SOLE PROPERTY OF ITT CORPORATION, OR ITS SUBSIDIARY, AND IS PROVIDED SUBJECT TO RETURN. IT IS ISSUED IN STRICT CONFIDENCE AND SHALL NOT BE REPRODUCED, OR COPIED, OR DISCLOSED IN WHOLE OR IN PART, OR USED AS THE BASIS FOR THE MANUFACTURE OR SALES OF APPARATUS OR PARTS TO WHICH THE DOCUMENT RELATES, WITHOUT THE EXPRESS WRITTEN CONSENT OF ITT CORPORATION, OR ITS SUBSIDIARY. THIS LEGEND SHALL BE MARKED ON ANY REPRODUCTION HEREOF, IN WHOLE OR IN PART. ALL RIGHTS TO THE INFORMATION AND DESIGN DISCLOSED HEREIN ARE RESERVED TO ITT CORPORATION, OR ITS SUBSIDIARY.

PURE-FLO ORDER: - ITEM: -
 CUSTOMER: -
 CUSTOMER PO: -
 OTHER INFO: -
 ISSUED BY: - CERTIFIED BY: -

THIRD ANGLE PROJECTION

UNLESS OTHERWISE SPECIFIED, ALL DIMENSIONS ARE IN INCHES

UNLESS OTHERWISE NOTED	
INCH	MM
X : ± 0.06	X : ± 1,5
.X : ± 0.06	.X : ± 1,5
.XX : ± 0.06	.XX : ± 1,5
.XXX : ± 0.02	
X/X : ± 1/16	
X° : ± 1°	X° : ± 1°

DATE	BY	DESCRIPTION
03/16/07	MJM	TBV VALVE OUTLINE
03/16/07	JRD	00.50 - 02.00 TC & BW
03/16/07	JRD	30° OR 45°
03/16/07	JRD	970 STN STL HWO

WT: - ECN# 10737 MASTER DWG 009616

Pure-Flo
www.ittpureflo.com

SITE PA	C	009616	REV -
		SHEET 1 OF 1	