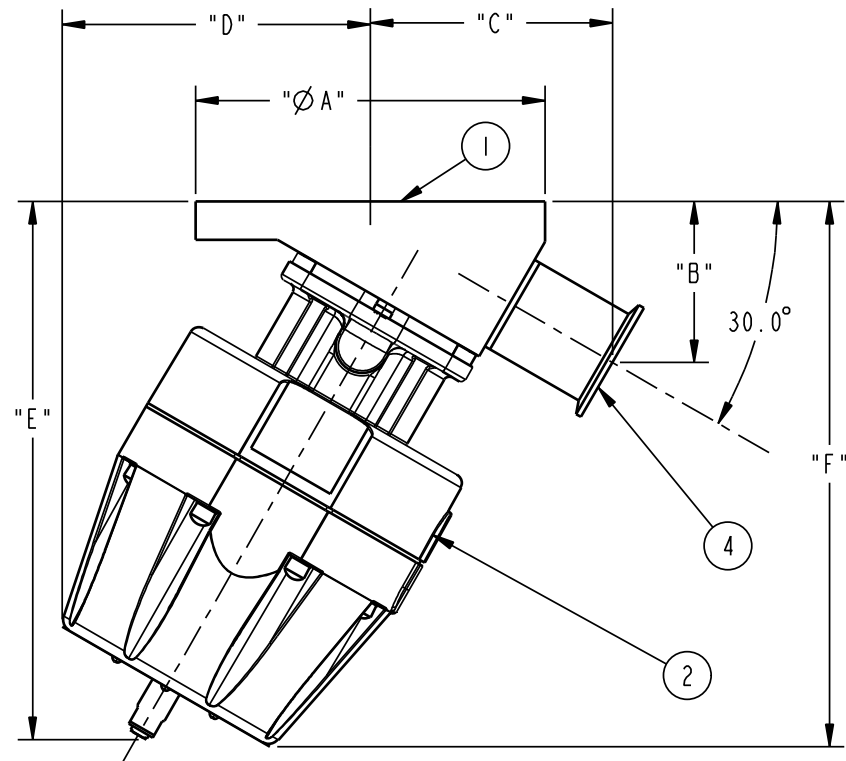


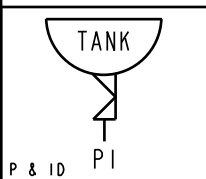
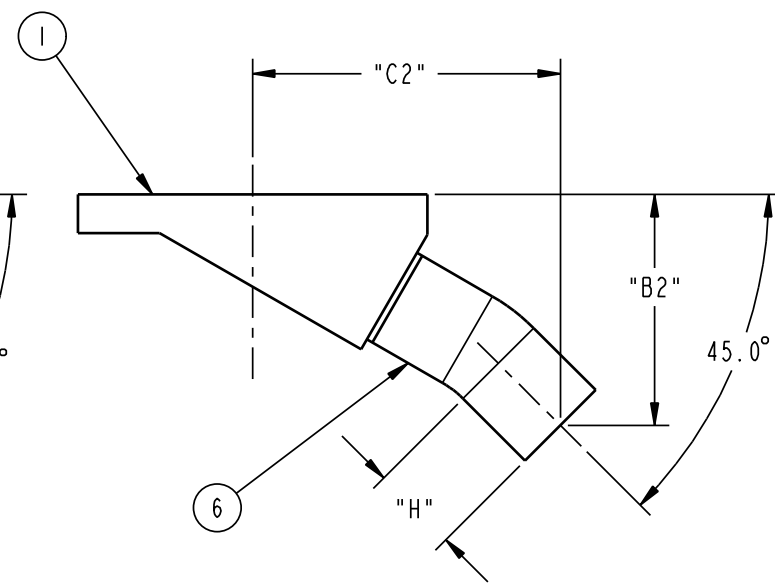
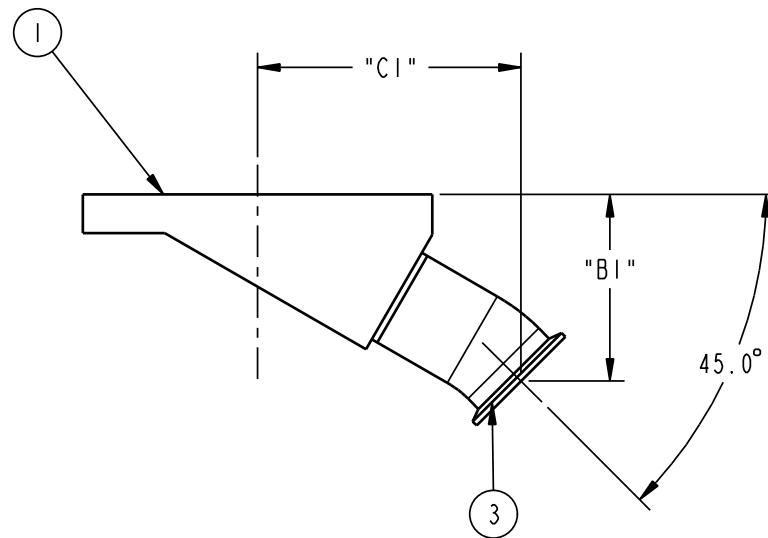
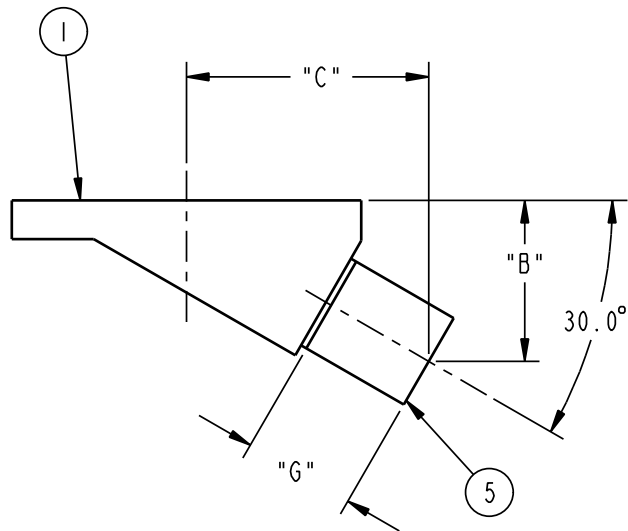
FIGURE NUMBERS

ASSEMBLY: -



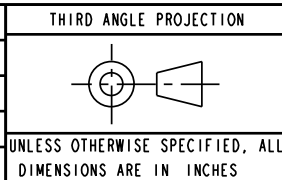
| SIZE | "ØA" | "B" | "B1" | "B2" | "C" | "C1" | "C2" | "D" | "E" | "F" | "G" | "H" |
|-----------------|-----------------|----------------|----------------|-----------------|-----------------|-----------------|-----------------|-----------------|------------------|------------------|----------------|----------------|
| 00.50 [DN15] | 2.75 [69,9] | 2.19 [55,7] | 2.60 [66,1] | 3.45 [87,6] | 2.70 [68,5] | 3.10 [78,6] | 3.95 [100,2] | 2.98 [75,7] | 5.11 [129,8] | 5.33 [135,3] | 1.75 [44,5] | 1.50 [38,1] |
| 01.00 [DN25] | 3.75 [95,3] | 2.22 [56,4] | 2.75 [70,0] | 3.45 [87,6] | 3.08 [78,1] | 3.63 [92,3] | 4.34 [110,2] | 3.96 [100,5] | 6.36 [161,5] | 6.50 [165,0] | 1.75 [44,5] | 1.50 [38,1] |
| 01.50 [DN40] | 5.50 [139,7] | 2.53 [64,4] | 3.18 [80,9] | 3.89 [98,7] | 3.81 [96,8] | 4.52 [114,9] | 5.22 [132,7] | 6.20 [157,5] | 9.91 [251,6] | 10.21 [259,4] | 1.75 [44,5] | 1.50 [38,1] |
| 02.00 [DN50] | 7.00 [177,8] | 3.22 [81,8] | 3.74 [94,9] | 4.62 [117,4] | 4.85 [123,1] | 5.28 [134,0] | 6.16 [156,5] | 6.20 [157,5] | 10.77 [273,7] | 10.91 [277,2] | 2.25 [57,2] | 1.75 [44,5] |

| LIST OF MAJOR COMPONENTS | | | |
|--------------------------|------------------------|--------------|-----|
| ITEM | DESCRIPTION | MATERIAL | QTY |
| 1 | BODY TANK BOTTOM VALVE | STN STL 316L | 1 |
| 2 | ACTUATOR- ADVANTAGE | | 1 |
| 3 | FABRICATED FERRULE TC | STN STL 316L | 1 |
| 4 | FERRULE TC | STN STL 316L | 1 |
| 5 | TUBING | STN STL 316L | 1 |
| 6 | FABRICATED TUBING | STN STL 316L | 1 |



THIS DOCUMENT IS THE SOLE PROPERTY OF ITT CORPORATION, OR ITS SUBSIDIARY, AND IS PROVIDED SUBJECT TO RETURN. IT IS ISSUED IN STRICT CONFIDENCE AND SHALL NOT BE REPRODUCED, OR COPIED, OR DISCLOSED IN WHOLE OR IN PART, OR USED AS THE BASIS FOR THE MANUFACTURE OR SALES OF APPARATUS OR PARTS TO WHICH THE DOCUMENT RELATES, WITHOUT THE EXPRESS WRITTEN CONSENT OF ITT CORPORATION, OR ITS SUBSIDIARY. THIS LEGEND SHALL BE MARKED ON ANY REPRODUCTION HEREOF, IN WHOLE OR IN PART. ALL RIGHTS TO THE INFORMATION AND DESIGN DISCLOSED HEREIN ARE RESERVED TO ITT CORPORATION, OR ITS SUBSIDIARY.

PURE-FLO ORDER: - ITEM: -
 CUSTOMER: -
 CUSTOMER PO: -
 OTHER INFO: -
 ISSUED BY: - CERTIFIED BY: -



| UNLESS OTHERWISE NOTED | |
|------------------------|--------------|
| INCH | MM |
| X : ± 0.06 | X : ± 1,5 |
| .X : ± 0.06 | .X : ± 1,5 |
| .XX : ± 0.06 | .XX : ± 1,5 |
| .XXX : ± 0.02 | .XXX : ± 1,5 |
| X/X : ± 1/16 | X/X : ± 1,5 |
| X° : ± 1° | X° : ± 1° |

| DATE | BY | DESCRIPTION |
|----------|-----|------------------------------------|
| 03/16/07 | MJM | TBV VALVE OUTLINE |
| 03/16/07 | JRD | 00.50 - 02.00 TC & BW |
| 03/16/07 | JRD | 30° OR 45° ADV ACTR |
| 03/16/07 | JRD | WT: - ECN# 10737 MASTER DWG 009618 |

ITT Pure-Flo
www.ittpureflo.com

SITE PA C 009618 REV -
 SHEET 1 OF 1