

Value Switch Package (VSP)



ITT Pure-Flo has developed the new Value Switch Package (VSP). The VSP is engineered to fulfill the fundamental needs of the Pharmaceutical and Bioprocessing industries.

The VSP is a switch package engineered with cost effectiveness, simplicity and flexibility in mind. The VSP maintains a small dimensional envelope for process piping installations where space is at a premium. The VSP is offered with a complete range of mechanical switches and proximity sensors to meet your electrical and control system specifications.

The VSP is a perfect compliment to both the Advantage® and Advantage® Piston Actuator lines of pneumatic actuation.

Switch Package VSP

Order Code	Switch Type	Switch Contact/ Output	Amperage	Voltage
VSPS48	Mechanical	Silver SPDT	6A	48 VAC/DC
VSPG30	Mechanical	Gold SPDT	100 mA	30VAC/DC
VSPZ	Proximity	2 Wire "Z"	200 mA	36 VDC
VSPN	Proximity	2 Wire Namur	1 mA	30 VDC
VSPPP	Proximity	3 Wire PNP	200 mA	36 VDC

ATEX CERTIFICATION

Order Code	Switch Certification	Assembly Certification
VSPS48	Simple Apparatus	
VSPG30		
VSPN	 	Must be used with an approved barrier.

VSPG30 and VSPN (with barrier) are suitable for hazardous and explosive applications. VSPN uses Intrinsically Safe sensor technology. VSPS48 is not recommended for low current applications.

Size Range

1/4"-2" (DN 6-50)

Max External Temperature

140°F (60°C)

Housing Material

Housing: Polyamide, FDA compliant
Cover: Polysulfone, FDA compliant

Switch Selection

- Mechanical
- Proximity

Conduit Ports

One M20 conduit port, located radially at any position, 360° (1/2"-NPT adapter available).

Product Ratings

Enclosure:

NEMA 4X, IP66

Class I, Div 1, Groups A-G:

VSPN with amplifier

Class I, Div 2, Group A-G:

VSPZ

VSPS

Intrinsic Safety (FM and cCSAus, ATEX approved):

VSPN with barrier/amplifier

Switch Certifications

VSPN: CE, cCSAus, FM, ATEX

VSPS Sensor: CE, cULus

VSPZ: CE, cULus

VSPS48, VSPG30: cULus

Terminal Strip: CE, cULus

Wire Gauge: 12 Gauge max. input

Note: VSP is not autoclavable

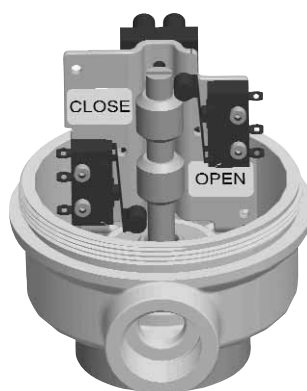
For more information, please contact one of our valve office locations:

Pure-Flo Headquarters
33 Centerville Road, P.O. Box 6164
Lancaster, PA 17603-2064 USA
Phone: +1 (800) 787-3561
Phone: +1 (717) 509-2200
Fax: +1 (800) 239-9402
Website: www.ittpureflo.com
E-mail: pureflo.custserv@itt.com

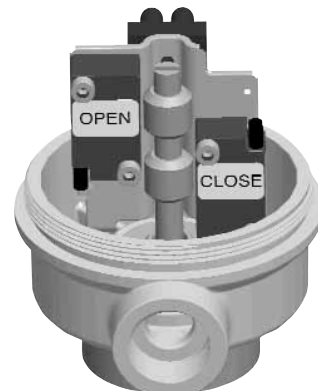
Pure-Flo
110-B West Cochran
Simi Valley, CA 93065
Phone: +1 (800) 926-8884
Phone: +1 (805) 520-7200
Fax: +1 (805) 520-7205

Pure-Flo
Richards Street
Kirkham, Lancashire
PR4 2HU, England
Phone: +44-1772-682696
Fax: +44-1772-686006

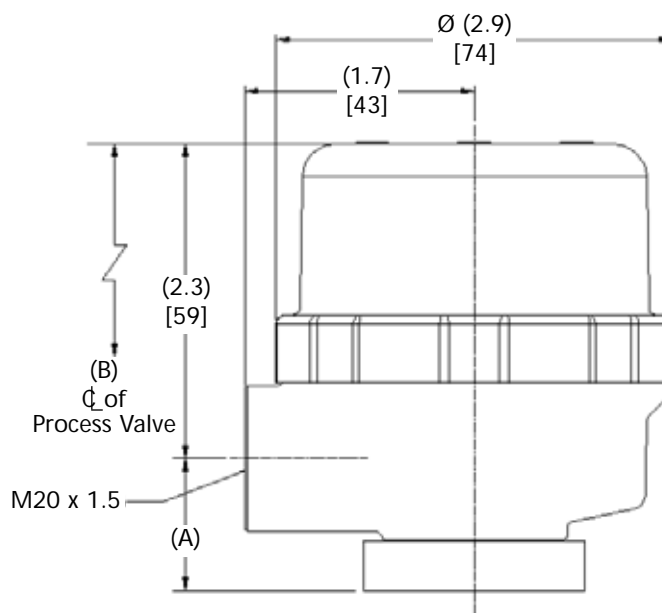
© ITT Corporation
Industrial & BioPharm Group



Mechanical



Proximity



Valve Size	A		B			
			APA Actuator		Advantage Actuator	
	in	mm	in	mm	in	mm
BT	1.00	25.4	5.00	127.0	5.04	128.0
0.5	1.00	25.4	5.50	139.8	5.52	140.2
0.75	1.00	25.4	6.34	161.0	6.59	167.4
1	1.00	25.4	6.90	175.2	6.99	177.5
1.5	1.50	38.1	11.03	280.1	11.18	284.0
2	1.50	38.1	11.57	293.9	11.68	296.7



ITT