



# ITT

Pure-Flo®

## Zero Static Downstream Purge (ZDP)

The ZDP process fabrication is a modification of a standard Zero Static valve. An integral valve located on the back of the valve assembly provides access to a purge port downstream of the ZSBB weir. This purge can be utilized for a multitude of process and utility applications including steam, CIP solution or as a gas purge. The down stream integral purge valve typically utilizes a .5" Pure-Flo valve bonnet assembly. The integral purge valve greatly reduces contact surfaces, hold up volume and possible deadlegs as compared to purge valves that are welded to the exterior of a standard zero static valve. The ZDP is an essential element of piping systems required to meet demanding L/D ratios suggested by the ASME BPE standard.

### Typical Applications:

- Use point applications where cleaning (CIP), steam sterilization, and blow down of the downstream is required.

### Specifications

Standard Sizes:

- 0.5" - 2" (DN 15 - 50) Valve size
- 0.5" - 4" (DN 15 - 100) Run size
- 0.5" Pure-Flo purge is standard.
- Other sizes available upon request

Materials:

- 316L ASTM - A479
- DN 177440, 1.4435
- AL6XN
- Hastelloy C-22 & C-276
- Other materials available upon request

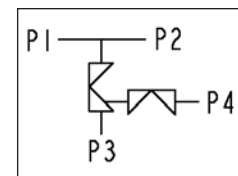
Standard End Connections:

- 14, 16, 18, 20 Gauge OD tubing
- DIN/ISO
- Tri-Clover Tri-Clamp®
- Others available upon request

Compatible with standard Pure-Flo topworks: See PFTOP for details on available manual bonnets or actuator.



Patent # 6,397,887



### Flow Path



*Engineered for life*



## How to Order a Zero Static Downstream Purge

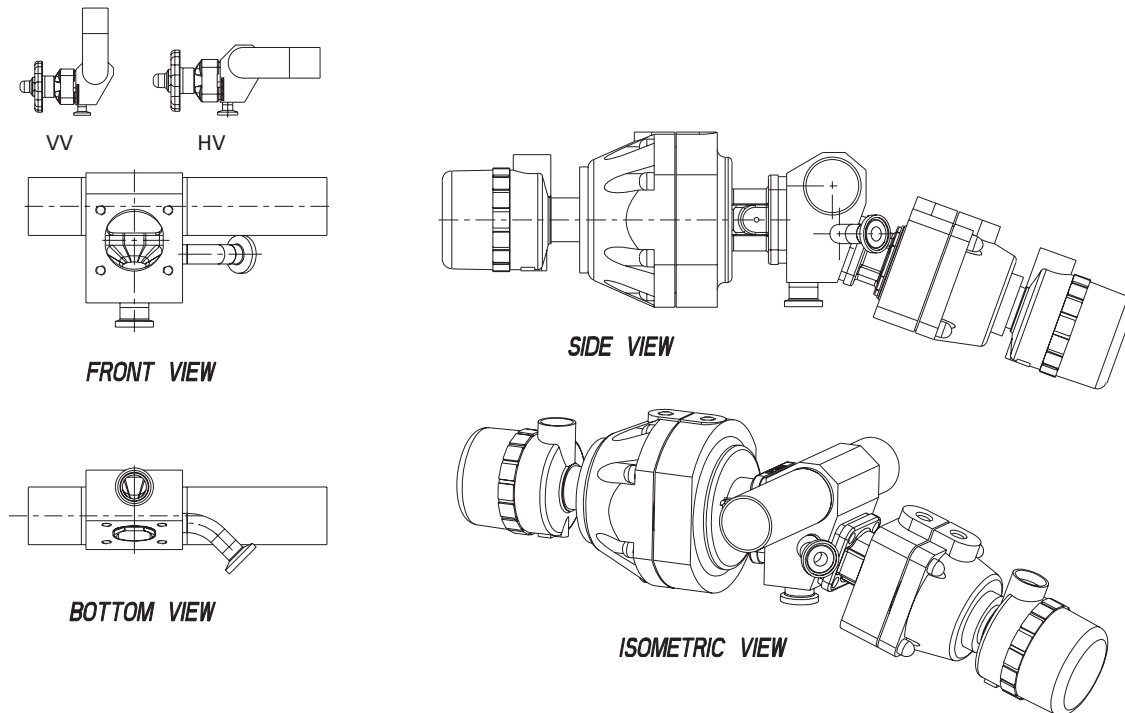
Zero Static Block Body, wrought stainless steel, U-bend vertical tube, 1" main valve with Tri-Clamp end connection, 2" run with buttweld ends, .5" Pure-Flo purge with Tri-Clamp connection, 25 Ra interior finish, standard exterior finish (Scotch Brite).

**Figure Number:** ZDP-1-419-2-VV-428-.5-SVPF-419-R-W-6-1-0

Configuration Example		ZDP	1	419	2	VV	428	.5	SVPF	419	R	W	6-1-0
Valve Body	Block Type	ZDP											
	Valve Size		1										
	Body End Connection			419									
	Zerostatic Tube Size				2								
	U-Bend Orientation <sup>1</sup>					VV							
	Zerostatic Tube End Connection						428						
	Second Valve Size							.5					
	Second Valve Type								SVPF				
	Second Valve End Connection									419			
	Second Valve Outlet Orientation										R		
	Body Material											W	
	Polish Selections												6-1-0

<sup>1</sup> For a U-Bend Vertical Tube, enter VV. For Horizontal Tube, enter HV. See drawings below for vertical tube and horizontal tube examples.

To add topworks, see BBTOP-07. For additional figure numbers, see PFORD.



Please contact Pure-Flo CA at 805-520-7200 for the latest drawing and dimensional information. The above drawing should only be used as a general reference.