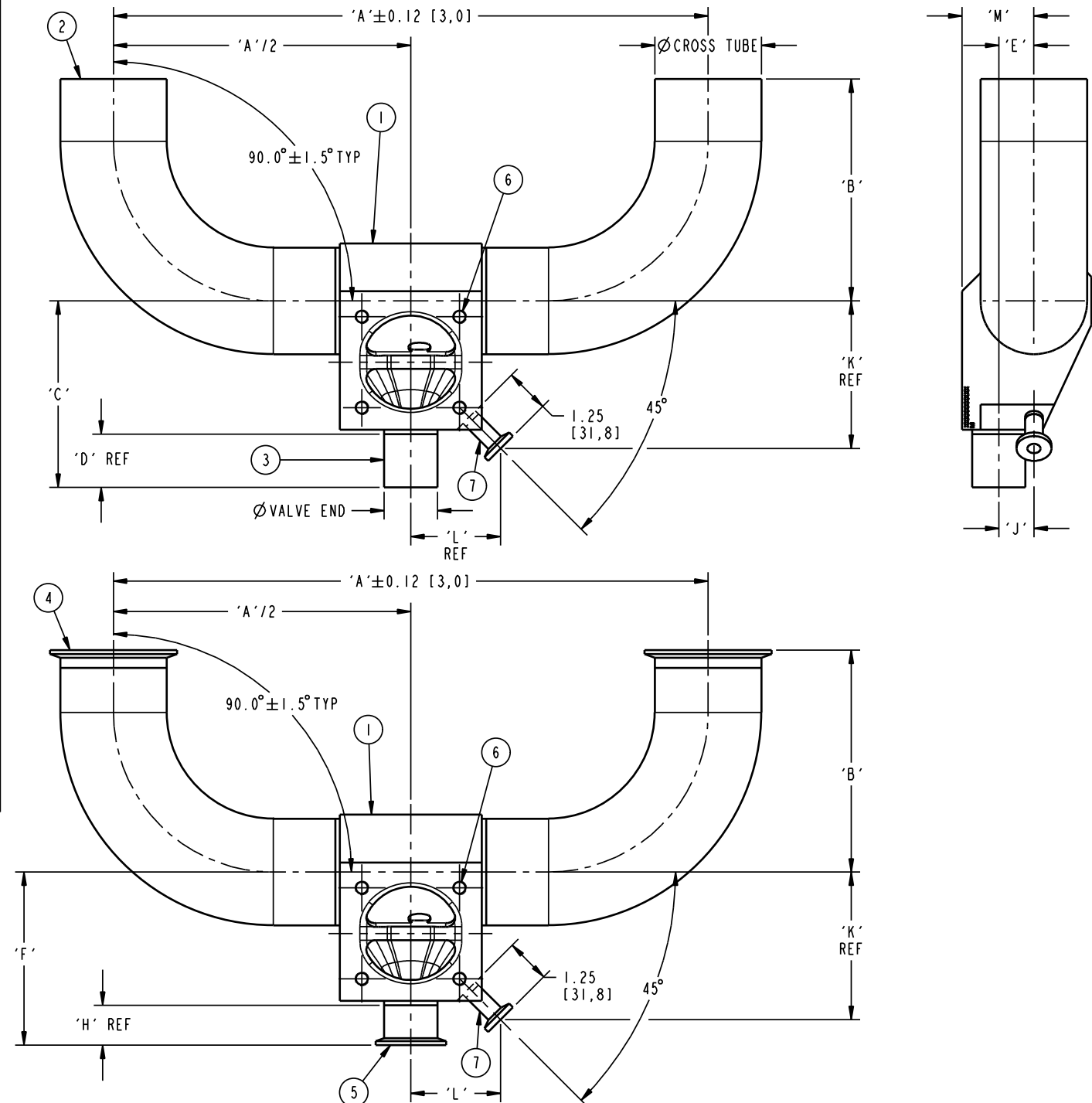


| VALVE END | DIM'S | CROSS TUBE | | | | | | | |
|-------------|-------|---------------|---------------|---------------|---------------|---------------|---------------|---------------|--|
| | | 0.75 [19,0] | 1.00 [25,4] | 1.50 [38,1] | 2.00 [50,8] | 2.50 [63,5] | 3.00 [76,2] | 4.00 [101,6] | |
| 0.75 [DN20] | 'A' | 8.25 [209,6] | 8.25 [209,6] | 9.75 [247,7] | 11.75 [298,5] | 13.25 [336,6] | 14.75 [374,7] | 18.25 [463,6] | |
| | 'B' | 3.00 [76,2] | 3.00 [76,2] | 3.75 [95,2] | 4.75 [120,6] | 5.50 [139,7] | 6.25 [158,8] | 8.00 [203,2] | |
| | 'C' | 3.25 [82,6] | 3.38 [85,9] | 3.65 [92,7] | 3.91 [99,3] | 4.17 [105,9] | 4.43 [112,5] | 4.95 [125,7] | |
| | 'D' | 1.50 [38,1] | 1.50 [38,1] | 1.50 [38,1] | 1.50 [38,1] | 1.50 [38,1] | 1.50 [38,1] | 1.50 [38,1] | |
| | 'E' | 0.26 [6,6] | 0.46 [11,7] | 0.73 [18,5] | 0.93 [23,6] | 1.09 [27,7] | 1.23 [31,2] | 1.68 [42,7] | |
| | 'F' | 2.25 [57,2] | 2.38 [60,5] | 2.65 [67,3] | 2.91 [73,9] | 3.17 [80,5] | 3.43 [87,1] | 3.95 [100,3] | |
| | 'H' | 0.50 [12,7] | 0.50 [12,7] | 0.50 [12,7] | 0.50 [12,7] | 0.50 [12,7] | 0.50 [12,7] | 0.50 [12,7] | |
| | 'J' | 0.47 [11,9] | 0.58 [14,7] | 0.53 [13,5] | 0.88 [22,4] | 1.18 [30,0] | 1.62 [41,1] | 2.40 [61,0] | |
| | 'K' | 2.19 [55,6] | 2.32 [58,9] | 2.59 [65,8] | 2.84 [72,1] | 3.09 [78,5] | 3.34 [84,8] | 3.83 [97,3] | |
| | 'L' | 1.75 [44,4] | 1.74 [44,2] | 1.75 [44,4] | 1.76 [44,7] | 1.76 [44,7] | 1.78 [45,2] | 1.80 [45,7] | |
| | 'M' | 0.70 [17,8] | 0.89 [22,6] | 1.17 [29,7] | 1.36 [34,5] | 1.53 [38,9] | 1.67 [42,4] | 2.11 [53,6] | |
| 1.00 [DN25] | 'A' | 8.25 [209,6] | 9.75 [247,7] | 11.75 [298,5] | 13.25 [336,6] | 14.75 [374,7] | 18.25 [463,6] | | |
| | 'B' | 3.00 [76,2] | 3.75 [95,2] | 4.75 [120,6] | 5.50 [139,7] | 6.25 [158,8] | 8.00 [203,2] | | |
| | 'C' | 3.63 [92,2] | 3.90 [99,1] | 4.16 [105,7] | 4.42 [112,3] | 4.68 [118,9] | 5.19 [131,8] | | |
| | 'D' | 1.50 [38,1] | 1.50 [38,1] | 1.50 [38,1] | 1.50 [38,1] | 1.50 [38,1] | 1.50 [38,1] | | |
| | 'E' | 0.28 [7,1] | 0.59 [15,0] | 0.81 [20,6] | 0.98 [24,9] | 1.15 [29,2] | 1.44 [36,6] | | |
| | 'F' | 3.25 [82,6] | 3.52 [89,4] | 3.78 [96,0] | 4.04 [102,6] | 4.30 [109,2] | 4.81 [122,2] | | |
| | 'H' | 1.12 [28,4] | 1.12 [28,4] | 1.12 [28,4] | 1.12 [28,4] | 1.12 [28,4] | 1.12 [28,4] | | |
| | 'J' | 0.63 [16,0] | 0.88 [22,4] | 0.65 [16,5] | 0.92 [23,4] | 1.24 [31,5] | 1.73 [43,9] | | |
| | 'K' | 2.52 [64,0] | 2.78 [70,6] | 3.05 [77,5] | 3.31 [84,1] | 3.56 [90,4] | 4.05 [102,9] | | |
| | 'L' | 1.99 [50,5] | 2.00 [50,8] | 1.99 [50,5] | 1.99 [50,5] | 2.00 [50,8] | 2.02 [51,3] | | |
| | 'M' | 0.96 [24,4] | 1.26 [32,0] | 1.48 [37,6] | 1.65 [41,9] | 1.82 [46,2] | 2.11 [53,6] | | |
| 1.50 [DN40] | 'A' | 11.75 [298,5] | 13.75 [349,3] | 15.25 [387,4] | 16.75 [425,5] | 20.25 [514,4] | | | |
| | 'B' | 3.75 [95,2] | 4.75 [120,6] | 5.50 [139,7] | 6.25 [158,8] | 8.00 [203,2] | | | |
| | 'C' | 4.46 [113,3] | 4.73 [120,1] | 4.99 [126,7] | 5.25 [133,4] | 5.76 [146,3] | | | |
| | 'D' | 1.50 [38,1] | 1.50 [38,1] | 1.50 [38,1] | 1.50 [38,1] | 1.50 [38,1] | | | |
| | 'E' | 0.23 [5,8] | 0.55 [14,0] | 0.79 [20,1] | 0.99 [25,1] | 1.32 [33,5] | | | |
| | 'F' | 4.08 [103,6] | 4.35 [110,5] | 4.61 [117,1] | 4.87 [123,7] | 5.38 [136,7] | | | |
| | 'H' | 1.12 [28,4] | 1.12 [28,4] | 1.12 [28,4] | 1.12 [28,4] | 1.12 [28,4] | | | |
| | 'J' | 0.75 [19,0] | 0.88 [22,4] | 0.88 [22,4] | 0.99 [25,1] | 1.28 [32,5] | | | |
| | 'K' | 3.35 [85,1] | 3.63 [92,2] | 3.90 [99,1] | 4.16 [105,7] | 4.66 [118,4] | | | |
| | 'L' | 2.54 [64,5] | 2.54 [64,5] | 2.53 [64,3] | 2.53 [64,3] | 2.54 [64,5] | | | |
| | 'M' | 1.26 [32,0] | 1.58 [40,1] | 1.82 [46,2] | 2.02 [51,3] | 2.35 [59,7] | | | |
| 2.00 [DN50] | 'A' | 14.75 [374,7] | 16.25 [412,8] | 17.75 [450,9] | 21.25 [539,8] | | | | |
| | 'B' | 4.75 [120,6] | 5.50 [139,7] | 6.25 [158,8] | 8.00 [203,2] | | | | |
| | 'C' | 5.29 [134,4] | 5.56 [141,2] | 5.82 [147,8] | 6.33 [160,8] | | | | |
| | 'D' | 1.75 [44,4] | 1.75 [44,4] | 1.75 [44,4] | 1.75 [44,4] | | | | |
| | 'E' | 0.29 [7,4] | 0.60 [15,2] | 0.84 [21,3] | 1.22 [31,0] | | | | |
| | 'F' | 4.66 [118,4] | 4.93 [125,2] | 5.19 [131,8] | 5.70 [144,8] | | | | |
| | 'H' | 1.12 [28,4] | 1.12 [28,4] | 1.12 [28,4] | 1.12 [28,4] | | | | |
| | 'J' | 0.97 [24,6] | 1.00 [25,4] | 1.03 [26,2] | 1.01 [25,7] | | | | |
| | 'K' | 3.93 [99,8] | 4.20 [106,7] | 4.47 [113,5] | 4.99 [126,7] | | | | |
| | 'L' | 3.05 [77,5] | 3.04 [77,2] | 3.03 [77,0] | 3.02 [76,7] | | | | |
| | 'M' | 1.60 [40,6] | 1.92 [48,8] | 2.15 [54,6] | 2.54 [64,5] | | | | |

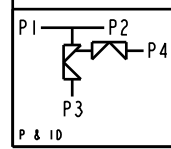
NOTES:
1. LEFT HAND AND RIGHT HAND ORIENTATION IS DETERMINED BY VIEWING THE MACHINE FACE OF THE MAIN VALVE.

| LIST OF MAJOR COMPONENTS | | | |
|--------------------------|---|--------------|------|
| ITEM | DESCRIPTION | MATERIAL | QTY. |
| 1 | BODY-ZSBBS | STN STL 316L | 1 |
| 2 | TUBING-ELBOW 90° CROSS TUBE END | STN STL 316L | AR |
| 3 | TUBING-VALVE END 16G | STN STL 316L | 1 |
| 4 | FERRULE-CROSS TUBE END TC | STN STL 316L | AR |
| 5 | FERRULE-VALVE END TC | STN STL 316L | 1 |
| 6 | STUD | | 4 |
| 7 | FERRULE-SAMPLE PORT END TC 00.50 x 01.12 | STN STL 316L | 1 |
| | FERRULE-REDUCING SAMPLE PORT END TC 00.50 x 01.12 | STN STL 316L | 1 |



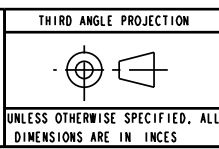
RIGHT HAND ORIENTATION SHOWN

SEE NOTE 1



PURE-FLO ORDER: - ITEM: -
CUSTOMER: -
CUSTOMER PO: -
OTHER INFO: -
ISSUED BY: - CERTIFIED BY: -

THIS DOCUMENT IS THE SOLE PROPERTY OF ITT CORPORATION, OR ITS SUBSIDIARY, AND IS PROVIDED SUBJECT TO RETURN. IT IS ISSUED IN STRICT CONFIDENCE AND SHALL NOT BE REPRODUCED, OR COPIED, OR DISCLOSED IN WHOLE OR IN PART, OR USED AS THE BASIS FOR THE MANUFACTURE OR SALES OF APPARATUS OR PARTS TO WHICH THE DOCUMENT RELATES, WITHOUT THE EXPRESS WRITTEN CONSENT OF ITT CORPORATION, OR ITS SUBSIDIARY. THIS LEGEND SHALL BE MARKED ON ANY REPRODUCTION HEREOF, IN WHOLE OR IN PART. ALL RIGHTS TO THE INFORMATION AND DESIGN DISCLOSED HEREIN ARE RESERVED TO ITT CORPORATION, OR ITS SUBSIDIARY.



THIRD ANGLE PROJECTION
UNLESS OTHERWISE NOTED
INCH MM
X: ±0.06
XX: ±0.06
XXX: ±0.02
1/2: ±0.02
1/16: ±0.02

DATE BY
DWN 06/24/08 MJM
CHKD 06/24/08 JRD
APVD 06/24/08 JRD

STANDARDS E-SERIES ZSBBS U-BENDS
WEIR 00.75 - 02.00
VERTICAL RUN x VERTICAL VALVE

ITT Pure-Flo
www.ittpureflo.com
SHEET 1 OF 1
009706
REV -
ECN# 11862
MASTER DWG 009706