



ITT

Pure-Flo®

Zero Static Block Body U-Bend (ZSBBVV & ZSBBHV)

Zero Static use points are some of the most critical valves utilized in the Biopharmaceutical industry. Use point valves allow process fluids to be transferred, sampled, drained or diverted with minimal impact on critical systems such as WFI and purified water.

Typical Applications:

- Point-of-use valves
- Piping branch valves

Specifications

Standard Sizes:

- 0.25" - 2" (DN 8 - 50) Valve size
- 0.5" - 4" (DN 15 - 100) Run size
- Other sizes available upon request

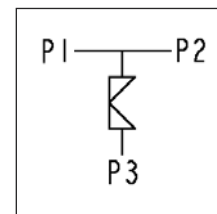
Materials:

- 316L ASTM - A479
- DN 177440, 1.4435
- AL6XN
- Hasteloy C-22 & C-276
- Other materials available upon request

Standard End Connections:

- 14, 16, 18, 20 Gauge OD tubing
- DIN/ISO
- Tri-Clover Tri-Clamp®
- Others available upon request

Compatible with standard Pure-Flo topworks: See PFTOP for details on available manual bonnets or actuator.



Flow Path



Engineered for life



ITT

Pure-Flo®

How to Order a Zero Static Block Body U-bend

.5" Zero Static Block, wrought stainless steel, 2" U-bend vertical tube, all three outlets have tri-clamp ends, 25 Ra interior finish, standard exterior finish (Scotch Brite), both interior and exterior electropolish.

Figure Number: ZSBBVV-.5-W-419-2-X19-6-1-3

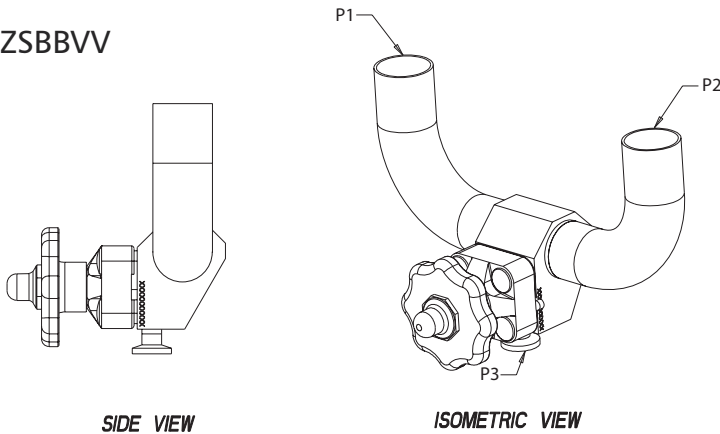
Configuration Example		ZSBBVV	.5	W	419	2	X19		6-1-3
Valve Body	Block Type ¹	ZSBBVV							
	Valve Size		.5						
	Body Type ²			W					
	Connection (P1)				419				
	Zerostatic Tube Size					2			
	Zerostatic Tube End Connection (P1,P2 or P1)						X19		
	Zerostatic Tube Second End Connection (P2) ³								
	Polish Selections								6-1-3

1 ZSBBVV for vertical tube, vertical valve. ZSBBHV for horizontal tube, vertical valve. See drawings below for vertical tube and horizontal tube examples.

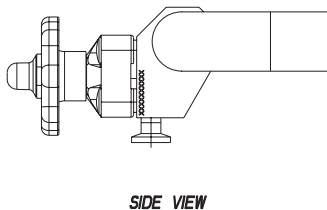
2 For Bio-Tek BW is used.

3 Second end connection can be provided if end connections are different. To add topworks, see BBTOP-07. For additional figure numbers, see PFORD.

ZSBBVV



ZSBBHV



Please contact Pure-Flo CA at 805-520-7200 for the latest drawing and dimensional information. The above drawing should only be used as a general reference.

© 2007 ITT Corporation
Industrial Process

ZSBBVVHV-07

ITT Pure-Flo
33 Centerville Road
Lancaster, PA 17603
(717) 509-2200
www.ittpureflo.com