



# ITT

Pure-Flo®

## Zero Static with Upstream Sample and Downstream Purge (ZUD)

The Zero Static Upstream Sample and Downstream Purge valve allows for point of use sampling of the upstream flow, purging and sterilization of the downstream process, and sampling from the same Zero Static valve.

### Typical Applications:

- A single use point with multiple outlets for purging and steam sterilization of the downstream line and sampling of the upstream line

### Specifications

Standard Sizes:

- 0.5" - 4" (DN 15 - 100) Main Valve size
- 0.5" - 4" (DN 15 - 50) Run size
- 0.5" BT Sample valve\*
- 0.5" PF Purge valve
- Other sizes available upon request

Materials:

- 316L ASTM - A479
- DN 177440, 1.4435
- AL6XN
- Hastelloy C-22 & C-276
- Other materials available upon request

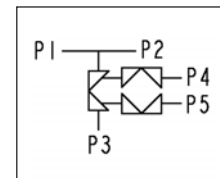
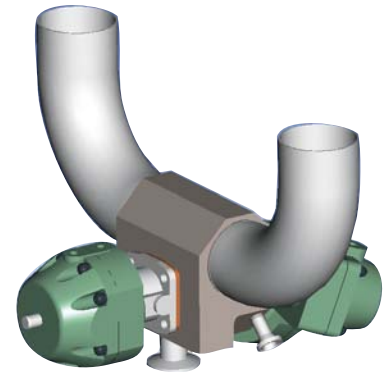
Standard End Connections:

- 14, 16, 18, 20 Gauge OD tubing
- DIN/ISO
- Tri-Clover Tri-Clamp®
- Others available upon request

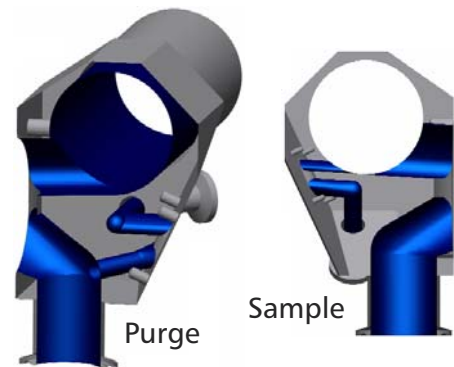
End Connections:

- P4 as standard is 0.75" Tri-Clamp connection
- P5 as standard is 0.5" Tri-Clamp connection

Compatible with standard Pure-Flo topworks: See PFTOP for details on available manual bonnets or actuator.



### Flow Path



\*Sample outlet features a reducing ferrule (.75" connection to a .5" port) to maximize drainability of the small diameter port.

*Engineered for life*



# ITT

Pure-Flo®

## How to Order a Zero Static with Upstream Sample and Downstream Purge (ZUD)

1" ZUD wrought stainless steel body with 0.5" Bio-Tek Upstream Sample (right side) and 0.5" Pure-Flo Downstream Purge. Tri-Clamp main valve end connection. 2" Zero Static tube size with 16 ga buttweld ends. (Sample valve with 0.75" reducing ferule and purge valve with 0.5" Tri-Clamp end connection.) 25 Ra interior finish, standard exterior finish (Scotch Brite).

**Figure Number:** ZUD-1-419-2-428-.5-SVBT-419R-R-.5-TVPF-419-W-6-1-0

Configuration Example	ZUD	1	419	2	428	.5	SVBT	419R	R	.5	TVPF	419	W	6-1-0
Block Type	ZUD													
Main Valve Size		1												
Main Valve End Connection (P3)			419											
Zerostatic Tube Size				2										
U-Bend Orientation <sup>1</sup>														
Zerostatic Tube End Connections (P1, P2)					428									
Second Valve Size						.5								
Second Valve Type (.5" only) <sup>2</sup>							SVBT							
Second Valve End Connection (P4) <sup>3</sup>								419R						
Second Valve Outlet Orientation									R					
Third Valve Size										.5				
Third Valve Type (.5" only) <sup>1</sup>											TVPF			
Third Valve End Connection (P5)												419		
Body Material													W	
Polish Selection														6-1-0

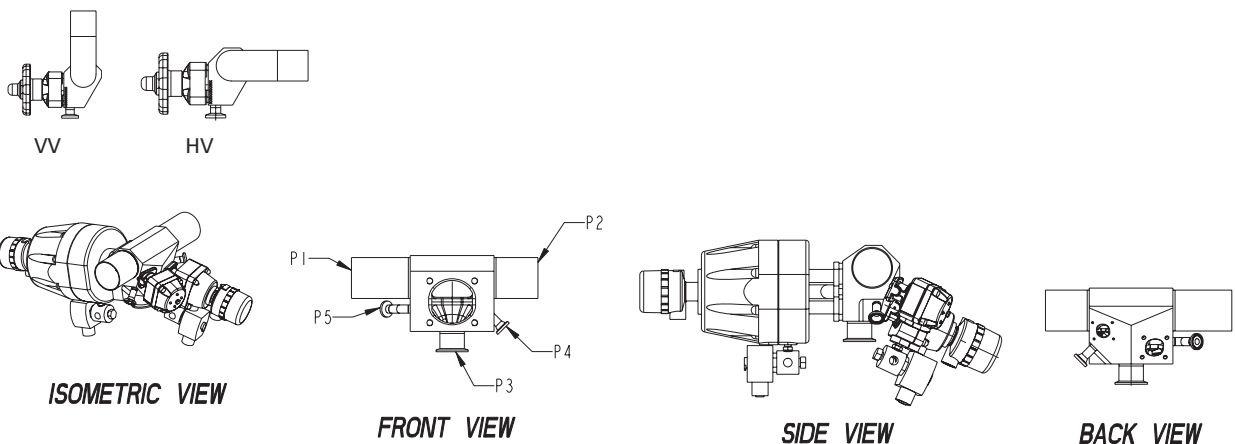
<sup>1</sup> For a U-Bend Vertical Tube, enter VV. For Horizontal Tube, enter HV. See drawings below for vertical tube and horizontal tube examples.

<sup>2</sup> For .5 inch valve, must specify Pure-Flo (PF) or Bio-Tek (BT). PF is recommended for steam applications. .5" sample port is available upon request.

<sup>3</sup> 419R refers to .75 x .5 reducing Tri-Clamp port connection required for drainability.

Note: All second and third valve options shown above are standard.

To add topworks, see BBTOP-07. For additional figure numbers, see PFORD.



Please contact Pure-Flo CA at 805-520-7200 for the latest drawing and dimensional information. The above drawing should only be used as a general reference.